



# Fitting Instructions

UNIVERSAL TOWBAR AD44AU  
For AUDI A4  
(2005-)  
use 2001 series necks  
and Seat Exeo  
use 2000 series necks

## MATERIALS

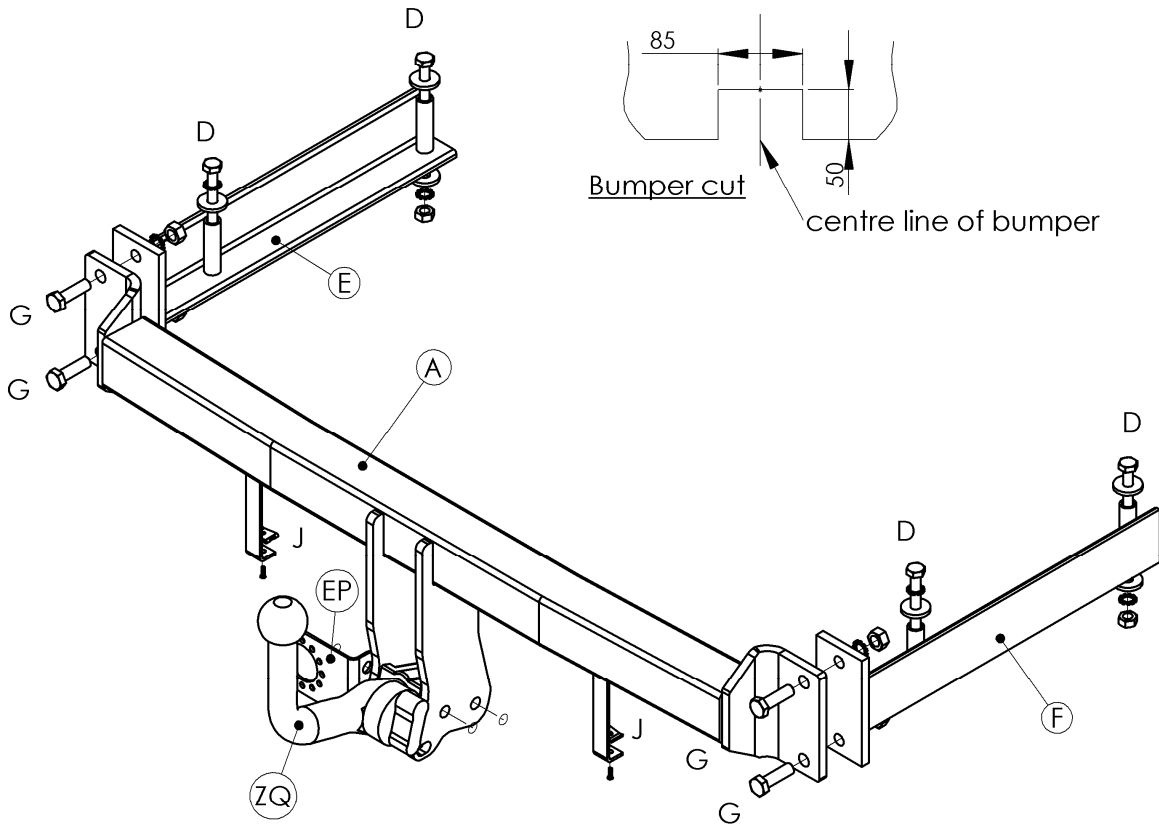
A	1	Cross Bar
D	4	M10 x 100 x 1.5mm Bolts, Lock Washers, 2 Nuts and 6 Flat Washers (30mm O.D.)
E	1	Left Hand Side Arm
F	1	Right Hand Side Arm
G	4	M12 x 40 x 1.75mm Bolts, Nuts and Lock Washers
J	2	U – Nuts
EP	1	Electrical Plate (ZEP2)

## FITTING

1. Remove rear trim panels. Remove bumper (nuts each side inside vehicle, torx head screws behind wheel arch liners – also retained with torx head screws, torx head screws along lower edge of bumper. Pull out bumper tips and then pull bumper rearwards). Remove bumper beam.
2. Temporarily lower exhaust hangers and remove heat shield. Remove tape from forward mounting points (above and below chassis). Insert Side Arms (E) and (F) into chassis rails and loosely attach to rearmost mounting points and to forward mounting points referred to earlier, using Bolts (D).
3. Loosely attach Cross Bar (A) to Side Arms (E) and (F) using Bolts (G). Tighten all bolts. Cut bumper as shown below. Re – mount heat shield and exhaust. Re-fit bumper using U – nuts (J) for lower bumper fixings. Attach Detachable kit (ZQ) and Electrical Plate (EP) to Cross Bar (A) as per separate instructions.

Please refer to the vehicle specification for the trailer weight and nose limits, which **must be observed**.

**Recommended torque settings:** M8 - 27Nm, M10 - 53 Nm, M12 - 95 Nm, M14 - 150 Nm, M16 - 214 Nm  
Grade 10.9 M12 – 139Nm.



W0001AD44AU-FIT\$010802220000