



Fitting Instructions

UNIVERSAL TOWBAR **BM21BU**

For BMW X3 –

Also fits models with sport bumper.

MATERIALS

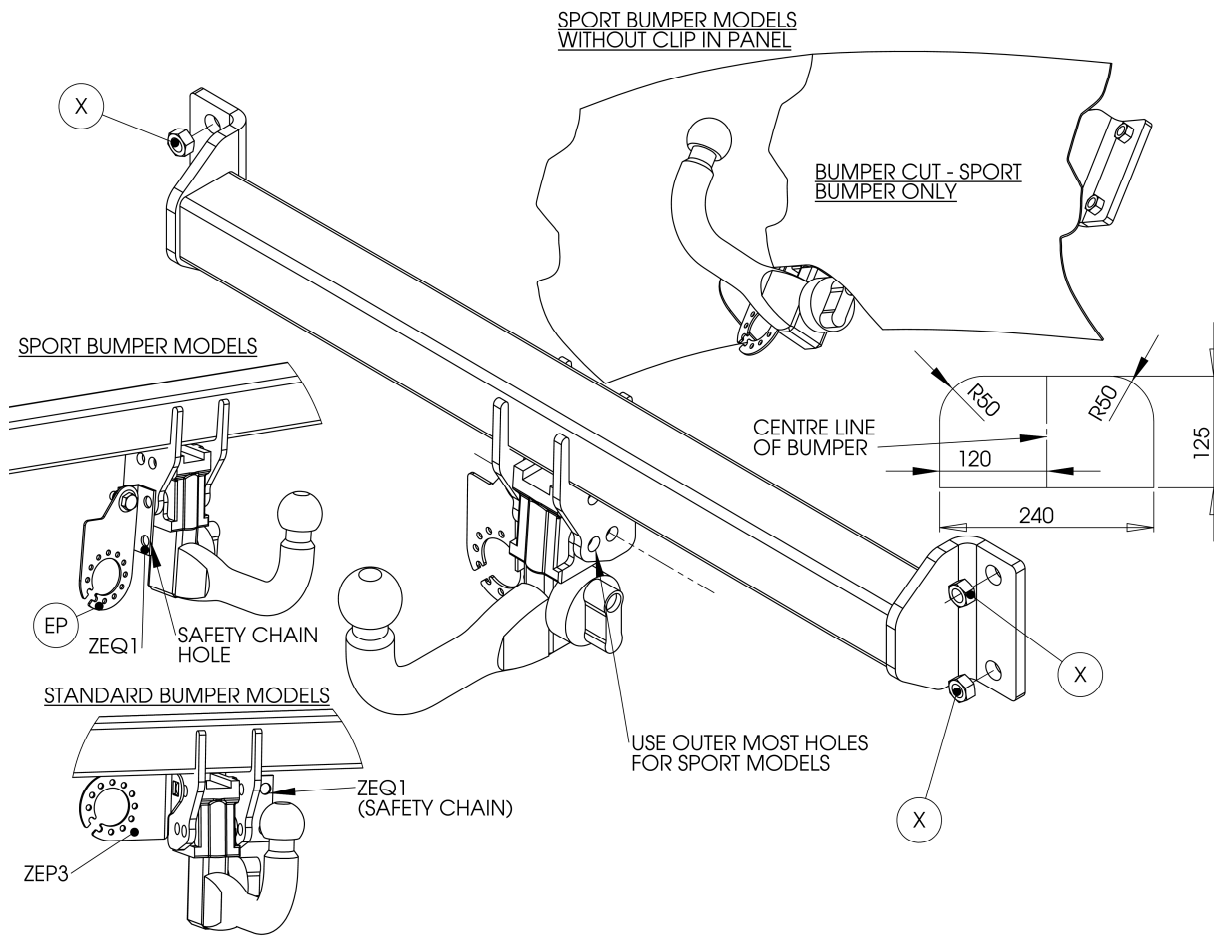
A	1	Cross Bar
EP	1	Electrical Plate (ZEP1), M10 x 25mm x 1.5mm, Nyloc Nut and Flat Washer
ZEP3	1	Electrical Plate (ZEP3)
ZEQ1	1	Safety Chain Bracket

FITTING

1. Remove Cover (where fitted) in centre of bumper and cut out marked area inside (raised plastic ridge).
2. Remove bumper (1 screw under each corner panel) 1 screw under each corner panel, **Sport Bumper** – remove the black plastic boot shut closure panel to reveal 4 screws along top edge. , 1 screw and 2 plastic nuts at lower edge, 2 screws securing wheel arch covers, 2 screws inside wheel arch covers and 1 tip screw. Pull bumper backwards to reveal reversing sensors so they can be disconnected.
3. Remove and discard bumper beam – retain nuts.
4. Loosely attach Cross Bar (A) using existing nuts (X) (**71Nm - thread lock is recommended**).
5. Please refer to ZQ fitting instruction for the fitment of the detachable unit, fit Safety Chain Bracket (ZEQ1) and Electrical Plate (EP) or ZEP3 as shown below.
6. Fully tighten bolts.
7. Refit bumper and reconnect reversing sensors.
8. Depending on model cut out section in bumper and refit to bumper.

Note: Please refer to the vehicle specification for the trailer weight and nose limits, which **must be observed**.

Recommended torque settings: M8 - 27Nm, M10 - 53 Nm, M12 - 95 Nm, M14 - 150 Nm, M16 - 214 Nm



W0001BM21BU-FIT\$011012080000