



Fitting Instructions

TOWBAR
For Citroen C3 Picasso 2009 - C47AU
for C47AQ & C47AQF

MATERIALS

A	1	Cross Bar with European facing to 94/20/EC A50-1
B	2	Side Arms
C	4	M10 x 1.5 Cage Nuts (small)
D	2	Side brackets
E	3	M10 X 35 X 1.5 Pitch Bolts, lock washers and flat Washers (25mm OD)
F	1	M10 X 30 X 1.5 Pitch Bolts, lock washers and flat Washers (25mm OD)
G	2	M12 X 40 X 1.75 Pitch Bolts, lock washers, flat washers (25mm OD) and 2 nuts.
H	2	M10 X 35 X 1.5 Pitch Bolts, lock washer, flat washer (25mm)
J	4	M12 X 40 X 1.75 Pitch Bolts, lock washers, flat washers (25mm OD) and 4 nuts
K	1	ZEP2 Electrical plate

For use with either

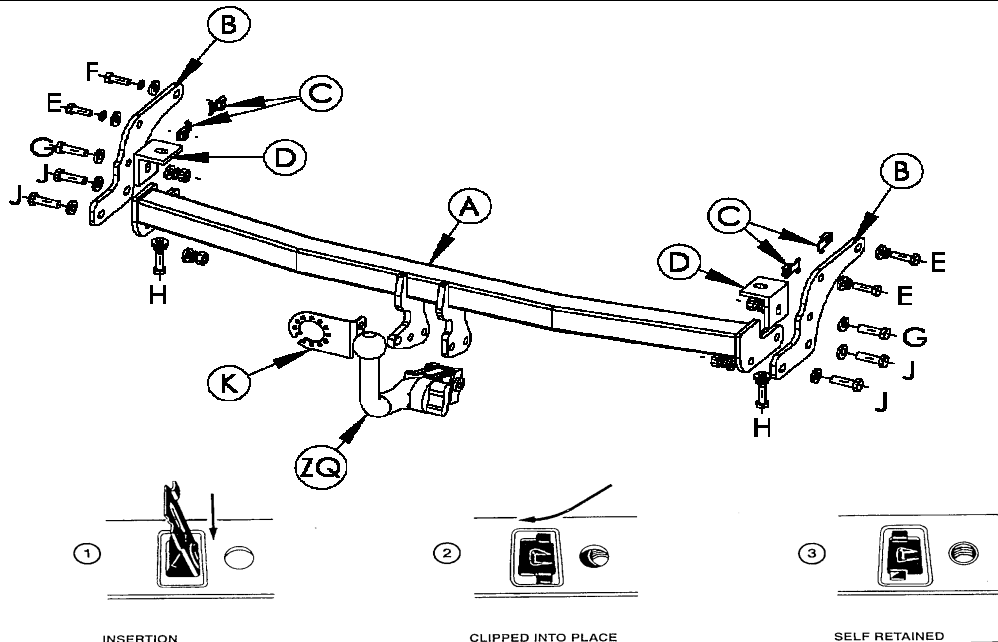
C47AQ Detachable neck option – ZQ2001. *Note:* This towbar must be used with either a Witter Towball (part number Z11) or Class A50-1 or A50-X towball, which dimensionally conforms to A50-1 with a 'D' and 'S' value greater than or equal to that of the towbar.

C47AQF Flange Detachable neck option – ZQF2001. Please refer to ZQ fitting instructions for installation

FITTING

1. Check to ensure that you have all the necessary parts.
2. From underside of vehicle unscrew bumper tags and remove lower underside arch plugs, 2 each side.
3. On outside of chassis rails remove tape to expose chassis mounting points. Remove any wax oil as necessary.
4. Insert M10 cage nuts (C) into the chassis rail ensuring that the cage nut hole recess aligns as per **diagram 2**.
5. Fit Side arm (B) to outer chassis rails using fasteners (E & F) and tighten fully. (F) being shorter due to fuel pipe obstacle.
6. Expose the rear most captive mounting hole by removing the tape on the underside of the chassis rails. Attach brackets (D) to the underside chassis rail using bolts (H) via captive thread and bolts (G).
7. To fit cross bar (A), lower rear silencer by undoing rear and front hangers. On rear panel bend upwards rearmost bumper tags. Slide crossbar over exhaust and insert crossbar carefully flexing bumper rearward if required.
8. Tighten fixing (J) to side arms whilst holding cross bar in its highest position.
9. Attach ZQ (Detachable Swan Neck) and Electrical Plate (K). When tightening the neck, ensure it is positioned in its upper and rearmost position to ensure maximum clearance and height.
10. Tighten all remaining bolts to their recommended torque.
11. Bend bumper tags down and refit screws and plugs and refit bumper.

Recommended torque settings: M10 - 52 Nm, M12 - 80 Nm, M16 - 200 Nm



W0001C47AU-FIT\$010802220000