



Fitting Instructions

TOWBAR
For **CH19U**
Dodge Nitro 07-
Jeep Cherokee 08-

MATERIALS

A	1	Cross Bar
B	1	O/S Sidearm
C	1	N/S Sidearm
F	6	M12x40 Bolts, Lock Washers and Flat Washers
G	6	M12x35 Bolts and Nyloc Nuts
ZE	1	Flip up Electrical plate kit (Z99 and ZEQ5)

For use with either

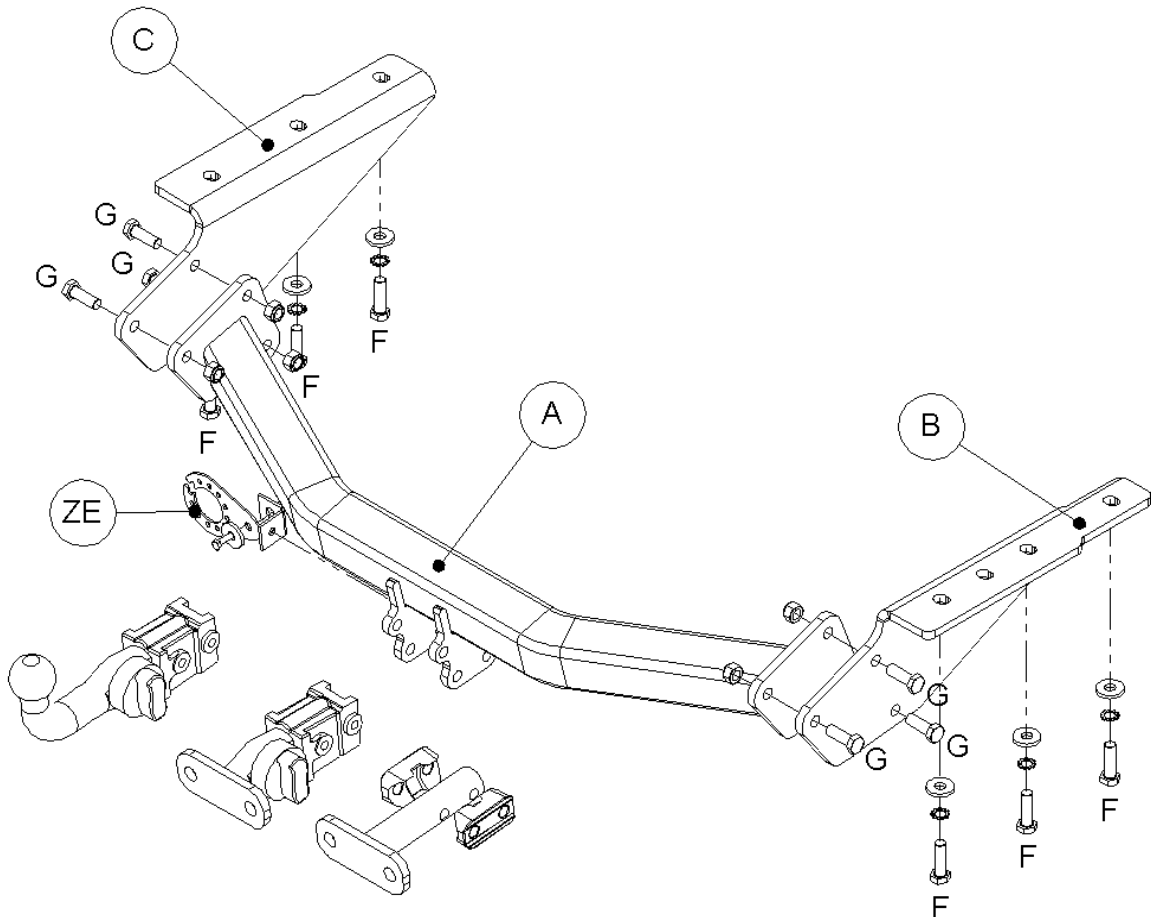
CH19 Flange neck option – ZF2039. *Note:* This towbar must be used with either a Witter Towball (part number Z11) or Class A50-1 or A50-X towball dimensionally Conforming to A50-1 with a 'D' and 'S' value greater than or equal to that of the towbar.

CH19QF Detachable neck option – ZQF2039. Please refer to ZQ fitting instructions for installation

FITTING

1. Remove 3 bolts and discard towing eye, undo bolt securing the diagonal brace on lower face of chassis rail and loosely attach sidearms (**D** and **E**) using bolts (**F**) and refit diagonal brace.
2. Loosely attach crosstube (**A**) to sidearms using bolts (**G**).
3. Finally torque all bolts as shown below starting with bolts (**G**) followed by (**F**) and attach neck option as per separate fitting instruction, ensuring the towball is in the correct position, and electrical plate angle bracket is in place.

Recommended torque settings: M12 - 95 Nm



W0001CH19U-FIT\$010802220000