

Fitting Instruction

Towbar CL127U
For Mitsubishi Eclipse Cross
X003 type necks.

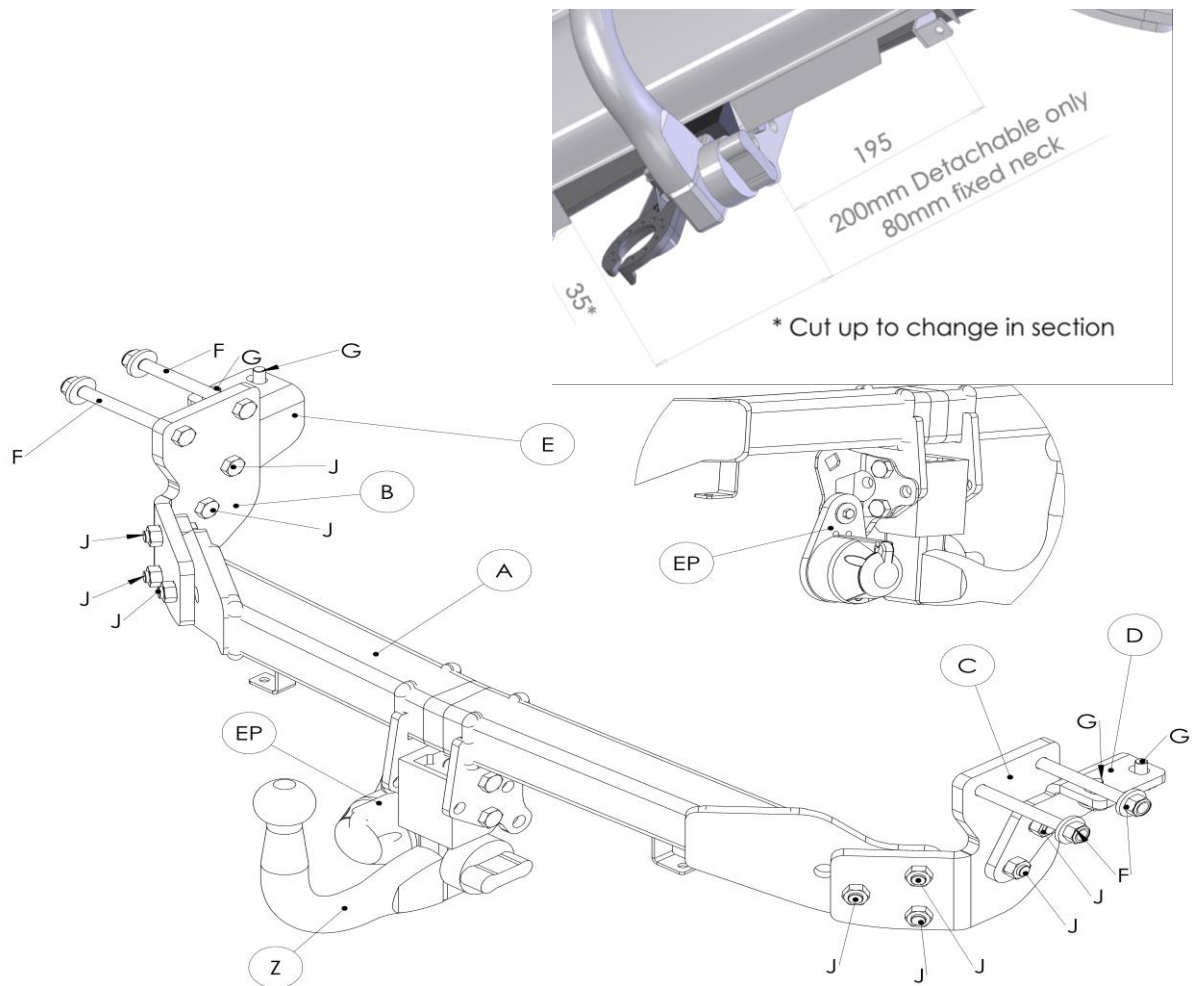
MATERIALS

A	1	Cross Bar
B	2	Side Plate
D	1	Right hand sidearm
E	1	Left hand sidearm
F	4	M12 x 1.75 x 110mm Bolts, Flat Washers (30mm OD) and Nyloc Nuts
G	4	M10 x 1.25 x 30mm Bolts, Lock Washers and Flat Washers (30mm OD)
J	10	M12 x 1.75 x 40mm Bolts, Nyloc Nuts and 4 Flat Washers (30mm OD)
Z	1	Neck assembly

FITTING

1. Remove towing eye from left hand side and discard and remove the 2 bumper clips along lower edge
2. **Very loosely** attach Side Plates (B) and Sidearms (D & E) using Bolts (F) (G) with Flat Washers to vehicle chassis, attach Sidearms (D & E) to Side Plates (B) using Bolts (J) with flat washers over the slots in Sidearms (D & E).
3. From inside bumper remove the two lower bumper tags (1 x M6 bolt attaches to bumper beam), Insert Cross bar (A) inside Bumper and attach to Sidearms (B) using Bolts (J).
4. **Fully tighten all bolts ensuring crossbar is pushed up inside bumper, a minimum of 15mm clearance should be achieved between exhaust and towbar.**
5. Refer to chosen neck fitting instruction and fit neck with electrical plate bracket, refit the lower bumper tags and cut bumper

Recommended torque settings: Grade 8.8 bolts: M8 - 24Nm, M10 - 52 Nm, M12 - 95 Nm, M14 - 130 Nm, M16 - 200 Nm **Grade 10.9:** M12 – 120Nm, M10 – 70Nm M8- 35Nm



W0001CL127-FIT\$0121212180000