



# Fitting Instructions

DETACHABLE TOWBAR **F108CU**  
For **FORD MONDEO ST TDCi** for  
**EDGE, TITANIUM & GHIA** **F108C**  
**SALOON AND HATCHBACK** (not suitable for **F108CQ**  
models with unpainted lower skirts)  
(2005-)

## MATERIALS

A	1	Cross Bar
C	1	Right Hand Side Arm
D	1	Left Hand Side Arm
E	4	M10 x 110 x 1.5mm Bolts, Nuts, Lock Washers and Flat Washers (30mm O.D.)
E1	4	Bushes (17mm O.D. - 79mm long)
F	2	M10 x 45 x 1.5mm Bolts, Nuts, Lock Washers and 4 Flat Washers (20mm O.D.)
G	2	Spacer Plates
H	2	M12 x 40 x 1.75mm Bolts, Nuts and Lock Washers
J	2	Neck Bolts (See appropriate neck kit)
K	1	M12 x 30 x 1.75mm Bolt and Nyloc Nut
CB	2	Coupling Bolts (Flanged Neck kit option)
ZE	1	Electrical Plate (ZEP2)
ZF	1	Neck

## FITTING

1. Remove plastic panel from underside of vehicle (4 nuts).
2. Lower exhaust to gain access to the chassis rails. Insert Bushes (E1) on Bolts (E) with Large Flat Washers under bolt heads into the frame through the adjacent 'keyholes' and loosely attach Side Arms (C) and (D). Cut bumper and bumper under-tray as shown below.
3. Pull down lower edge of bumper and insert Cross Bar (A). Loosely attach Cross Bar (A) to rear panel (see below for correct position) and Side Arms (C) and (D) using Bolts (F) at upper mountings and Bolts (H) with Spacers (G) on lower mountings.
4. Attach chosen Neck option (ZF) to Cross Bar (A) using Bolts (J) and Electrical Plate (ZE). On Edge, Titanium and Ghia models attach Electrical Plate (ZE) to forward hole on left profile plate of Cross Bar (A) using Bolt (K). **Tighten all Bolts.**
5. Re-mount exhaust. Re-fit plastic panel.

### For use with either

**F108C Flange neck option – ZF2030** (e4\*94/20\*2492\*00). **Note:** This towbar must be used with either a Witter Towball (part number Z11) or Class A50-1 or A50-X towball dimensionally Conforming to A50-1 with a 'D' and 'S' value greater than or equal to that of the towbar.

**F108CQ Detachable neck option – ZQ2030** Please refer to ZQ fitting instructions for installation

Please refer to the vehicle specification for the trailer weight and nose limits, which **must be observed.**

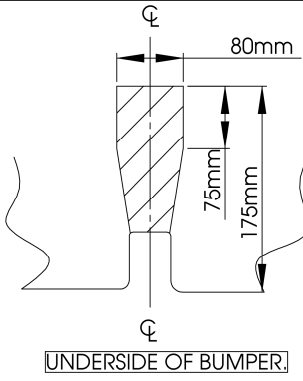
**Recommended torque settings:** M8 - 27Nm, M10 - 53 Nm, M12 - 95 Nm, M14 - 150 Nm, M16 - 214 Nm

**GRADE 10.9:** M12 – 139Nm



W0001F108CU-FIT\$010912150000

EDGE, TITANIUM & GHIA BUMPERS  
LOWER FACE OF BUMPER SHOWN.



ST BUMPER  
LOWER FACE OF BUMPER SHOWN.

