



Fitting Instructions

TOWBAR F163
For Ford Transit Custom 2012

MATERIALS

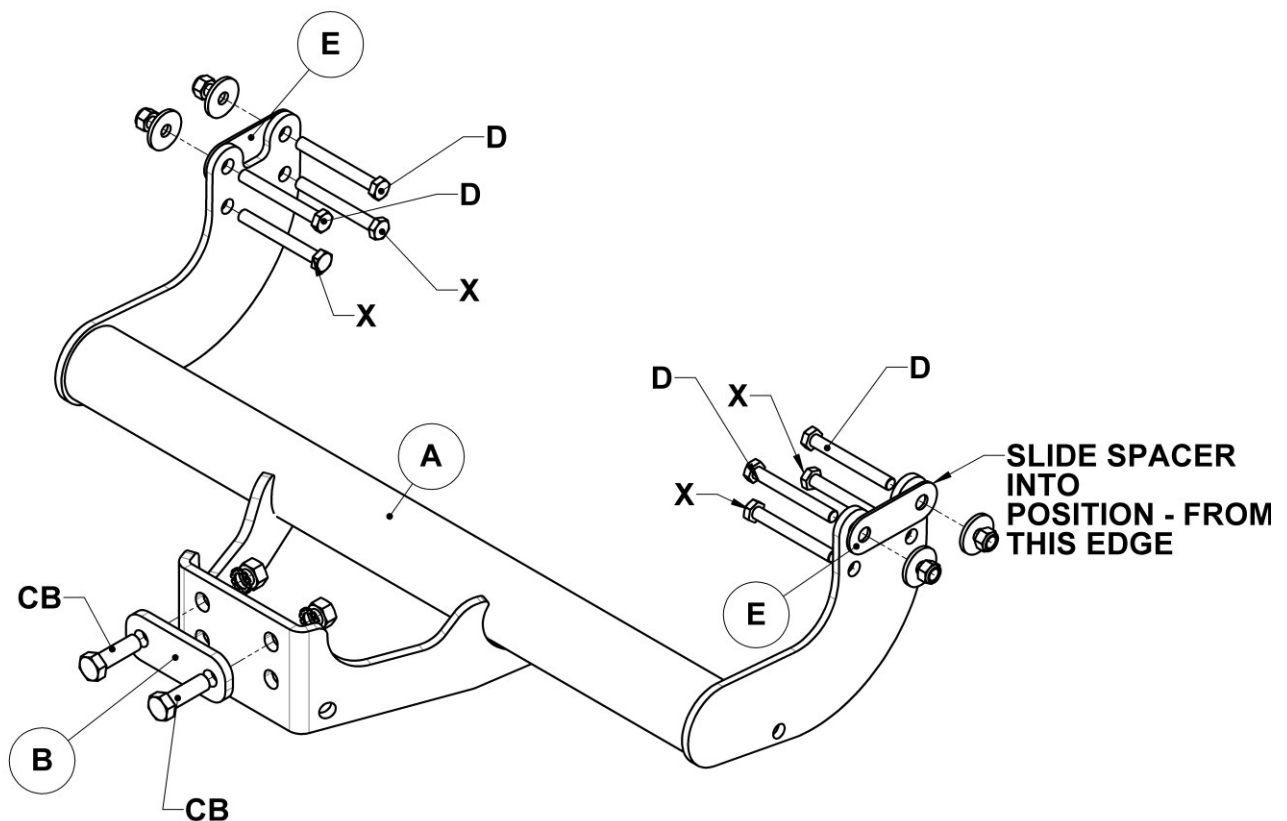
| | | |
|----|---|--|
| A | 1 | Main Frame |
| B | 1 | Coupling Packer |
| D | 4 | M12 x 1.75 x 100 Bolts, Nylocs and Flat Washers. |
| E | 2 | Spacer washers |
| CB | 2 | M16 x 2.00 x 50 Bolts, Nuts and Lock Washers |

This towbar must be used with either a Witter Towball (part number Z11) or Universal Coupling Z46 or Z32, Class A50-1 or A50-X towball, which dimensionally conforms to A50-1 with a 'D' and 'S' value greater than or equal to that of the towbar.

FITTING

1. Remove bolts securing bumper arms to chassis (2 per side). **Loosen the two M6** bolts securing the bumper arms to the chassis floor.
2. Loosely attach Main Frame to existing bushed lower holes using original bolts (X).
3. Insert Spacer Washers (E) between chassis and towbar frame and line up with holes (D), then secure using Bolts (D) with flat washers fitted on outside face.
4. Fully tighten bolts ensuring face is vertical and pushed up beneath bumper lower edge.
5. Tighten M6 bolts.

Recommended torque settings: Grade 8.8 bolts: M6 - 10Nm M8 - 24Nm, M10 - 52 Nm, M12 - 80 Nm, M14 - 130 Nm,



W0001F163-FIT\$011211220000