



Fitting Instructions

TOWBAR
For VAUXHALL ANTARA
2007-
G104AU
for
G104A &
G104AQ

MATERIALS

A	1	Cross Bar
B	8	M12 x 35 x 1.75 Bolts, Lock Washers, 30mm O.D Flat Washers and 2 off Bolt Caps.
ZE	1	Electrical Plate (ZEP3)

For use with either

G104A Flange neck option – ZF3007. **Note:** This towbar must be used with either a Witter Towball (part number Z11) or Class A50-1 or A50-X towball dimensionally Conforming to A50-1 with a 'D' and 'S' value greater than or equal to that of the towbar.

G104AQ Detachable neck option – ZQ3007. Please refer to ZQ fitting instructions for installation

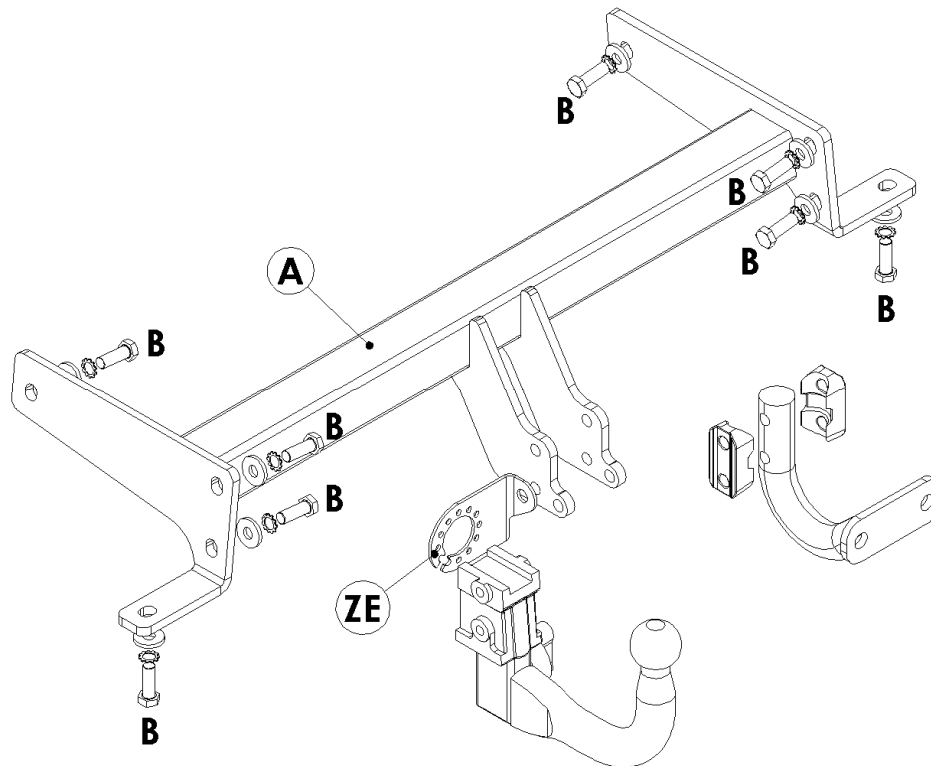
FITTING

1. Remove towing eye from left-hand chassis rail.
2. Attach crossbar (**A**) using fixings (**B**), Note: It is recommended that vertical fixing into bottom face of chassis are fitted first to ease fitting.
3. Attach neck option as per separate fitting instructions, electrical plate (**ZE**) and fully tighten all fixings.

Recommended torque settings: Grade 8.8 bolts: M12 - 95 Nm, M16 - 214 Nm 78Nm.

Note:

Please refer to the vehicle specification for the trailer weight and nose limits, which **must be observed**.



W0001G104AU-FIT\$010809160000