



# Fitting Instructions

TOWBAR **HN55AU for  
HN55A  
HN55AQ  
HN55AQF**  
For Honda Accord  
Saloon 2003 - 2008

## MATERIALS

A	1	Cross Bar
D	1	L.H Side arm
E	1	R.H Sidearm
F	1	L.H Spreader Angle
G	1	R.H Spreader Angle
H	2	Chassis Insert Bolts (M10 x 25 x1.5)
J	6	M8 X 25 X 1.25 Bolts, Lock Washers and Flat Washers (25mm O.D)
K	2	M10 X 70 X 1.5 Bolts, Nuts, Lock Washers and 4 Flat Washers (25mm O.D).
K1	2	Bushes 17mm O.D, 33mm Long.
L	4	M10 X 50 X 1.5 Bolts, Nuts, Lock Washers and 8 Flat Washers (25mm O.D).
M	2	M10 Nuts, Lock Washers and Flat Washers (25mm O.D).
N	2	M10 X 100 X 1.5 Bolts, Nuts, Lock Washers, 4 Flat Washers (25mm O.D).
N1	2	Bushes 17mm O.D, 69 Long.
R	1	Flip-Up Electrical Plate Kit (Z99)
S	1	Electrical Plate Angle (ZEQ4)
W	2	Side Arm Packers. (Only used on 2.4 Ltr twin exhaust models)
ZQ	1	Detachable Neck (ZQ3006)

## FITTING

1. Remove bumper (3 screws around each wheel arch, 2 push in clips on lower edge of bumper, 1 screw beneath each light cluster under plastic cap (Do not need to remove light cluster).
2. Remove bumper cross beam from vehicle and discard (or retain for fitment when bracket is removed)
3. Attach cross tube (A) using bolts (J). Using cross bar as guide drill 11 Dia thru back panel at (K)
4. Remove inner trim to both sides of boot and locate dimples in floor panel (approx 80mm forward of rear panel on each chassis rail). Drill 20 Dia thru top face of chassis ONLY.
5. Insert bushes (K1) thru rear panel, hole is on inner side of back panel adjacent to bolt pos'n (K) and bushes (N1) thru rear most chassis mount. Attach Spreader Angles (F & G) using bolts (N & K) and ensure all mastic is removed under angle. (NOTE: Bolts N & K are inserted from inside boot to allow refitting of trim)
6. Insert Chassis bolts (H) thru enlarged holes adjacent to rear most chassis mount holes. Attach side arms (D & E) using bolts (M & N). Note: On 2.4 Ltr twin exhaust model, packers (W) are inserted between rear panel and side arms (D & E) to allow clearance for extra exhaust mounts.
7. Attach detachable neck (ZQ) and electrical plate (R) using bolts (P) **Tighten all bolts.** Refit Bumper.

### For use with either

**HN55A Flange Neck Option – ZF3006 Note** This towbar must be used with either a Witter Towball (part number Z11) or Class A50-1 or A50-X towball dimensionally Conforming to A50-1 with a 'D' and 'S' value greater than or equal to that of the towbar.

**HN55AQ Detachable Neck Option – ZQ3006.** Please refer to ZQ fitting Instructions for installation.

**HN55AQF Flange Detachable Neck Option – ZQF3006.** Please refer to ZQ fitting Instructions for installation.

Please refer to the vehicle specification for the trailer weight and nose limits, which **must be observed.**

**Recommended torque settings:** Grade 8.8 M8 - 27Nm, M10 - 53 Nm, M12 - 95 Nm, M14 - 150 Nm, M16 - 214 Nm  
Grade 10.9 M12 – 139Nm



W0001HN55AU-FIT\$010809110000

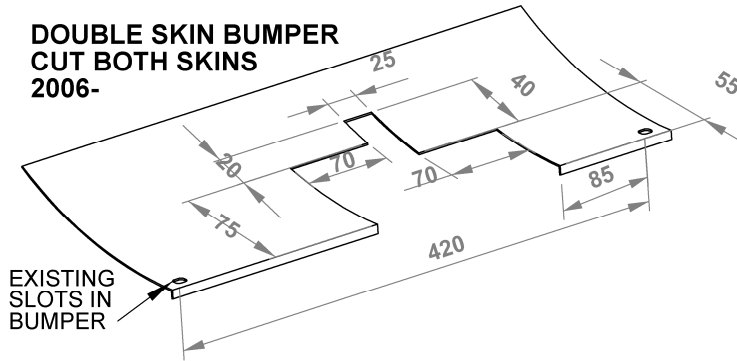


# Fitting Instructions

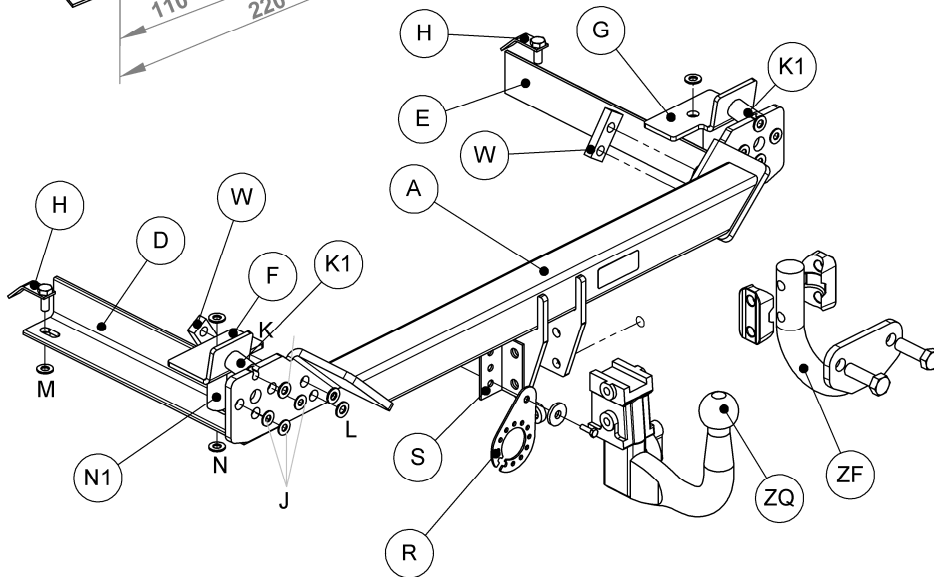
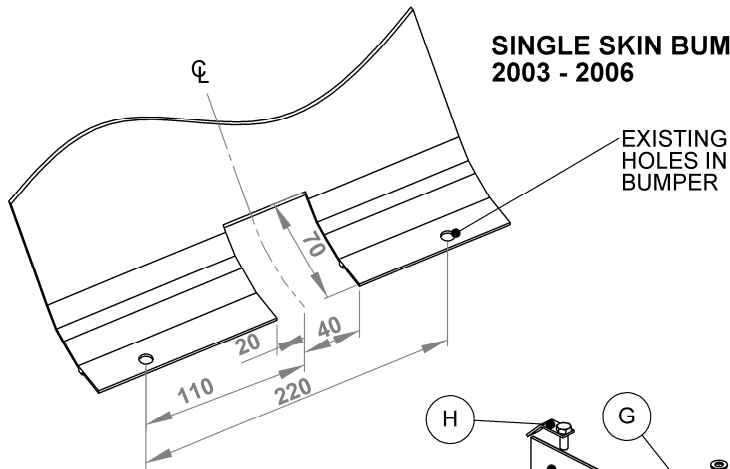
TOWBAR HN55AU  
For HONDA ACCORD SALOON  
May 2003 - 2008

## FITTING

**DOUBLE SKIN BUMPER  
CUT BOTH SKINS  
2006-**



**SINGLE SKIN BUMPER  
2003 - 2006**



W0001HN55AU-FIT\$010809110000