



Fitting Instructions

DETACHABLE TOWBAR KA13AU
for KIA SORENTO
Feb 2003 -2006
For use with 2070 series necks

MATERIALS

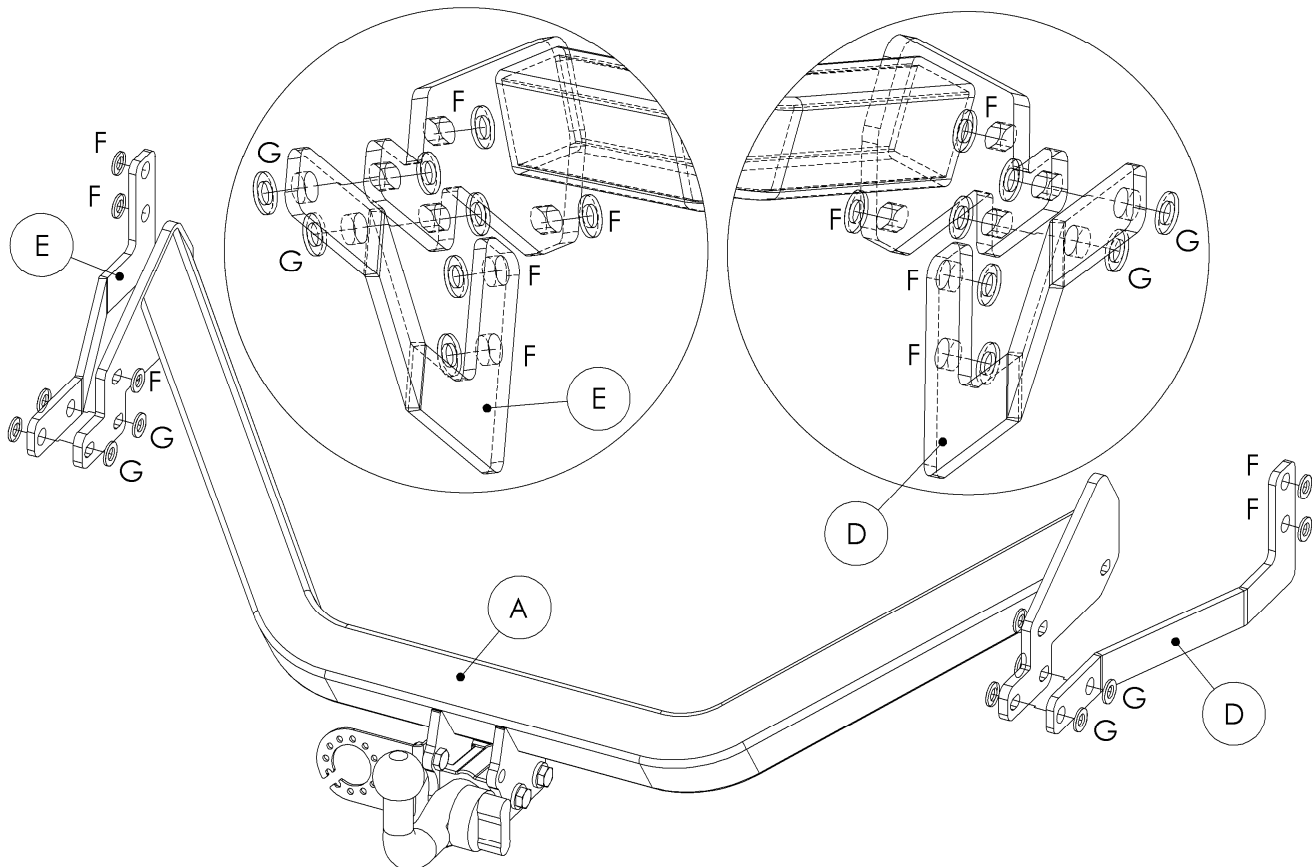
A	1	Towbar Mainframe
D	1	Sidearm (Right Hand)
E	1	Sidearm (Left Hand)
F	7	M12 x 35 x 1.5mm Bolts, Lock Washers and Flat Washers (25mm O.D)
G	4	M12 x 35 x 1.5mm Bolts, Nuts, Lock Washers and 8 Flat Washers (25mm O.D)
H	1	M12 x 30 x 1.5mm Bolt, Lock Washer and Flat Washer (25mm O.D)
J	1	Exhaust Rubber
ZEQ2	1	Electrical Plate with M12 x 30 x 1.5 Bolt, Nut and Lock Washer

FITTING

1. Attach Towbar Mainframe (A) to vehicle chassis using Bolts (F and H).
Notes: Remove rearmost exhaust hanger rubber. It may also be necessary to trim corner of right side lower bumper tag, to gain enough clearance for Mainframe, and temporarily wind down spare wheel (release brace is in boot, under tray).
2. Attach Sidearms (D and E) to chassis rails using Bolts (F). Attach Sidearms (D and E) to Towbar Mainframe (A) using Bolts (G).
3. Push Mainframe (A) upwards fully, and rearwards to gain adequate exhaust clearance, and **Tighten all Bolts**.
4. Raise spare wheel, attach substitute exhaust rubber (J).
5. Please refer to ZQ fitting instruction for fitment of Detachable Unit.

Please refer to the vehicle specification for the trailer weight and nose limits, which **must be observed**.

Recommended torque settings: M8 - 27Nm, M10 - 53 Nm, M12 - 95 Nm, M14 - 150 Nm, M16 - 214 Nm



W0001KA13AU-FIT\$010802220000