



Fitting Instructions

TOWBAR KA31U
For Kia Sportage 3
2010-

For use with 3010 series necks

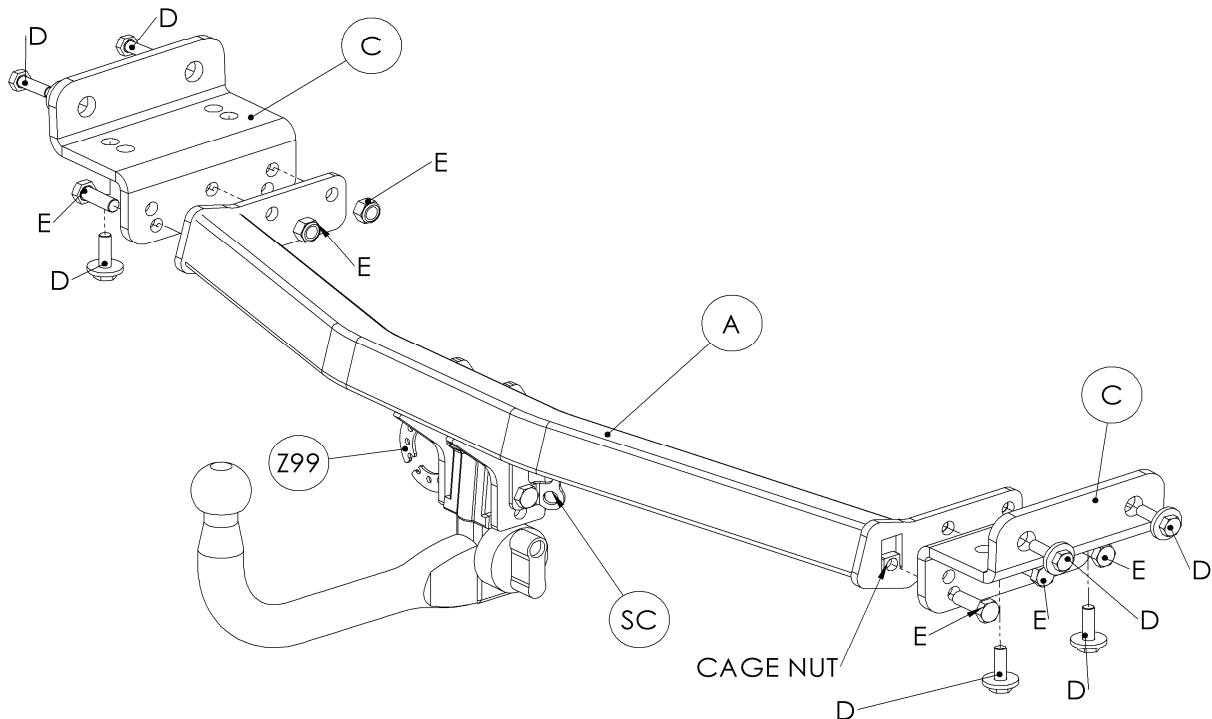
MATERIALS

A	1	Crossbar
C	2	Sidearms
D	8	M10 x 30 x 1.25 Bolts, Lock Washers and 30mm O.D Flat Washers.
E	6	M12 x 35 x 1.75 Bolts and Nyloc Nuts and Special Nut Retainers with Square Nuts
SC	1	Safety Chain Bracket
Z99	1	Flip Up Electrical Plate

FITTING

1. Loosely Attach Sidearms (C) using fixings (D).
2. Insert Crossbar (A) into bumper and loosely attach to sidearms (C) using fixings (E). (see separate fitting instructions for cage nuts).
3. Attach required Neck option with Electrical Plate (Z99) in position shown. **Fully Tighten all Fixings.**

Recommended torque settings: Grade 8.8 bolts: M8 - 24Nm, M10 - 52 Nm, M12 - 80 Nm, M14 - 130 Nm, M16 - 200 Nm
Grade 10.9: M12 - 120Nm, M10 - 70Nm M8- 35Nm



W0001KA31U-FIT\$011002220000