



# Fitting Instructions

TOWBAR KA3A  
for KIA SEDONA  
2000 -

## MATERIALS

A	1	Towbar Mainframe with European facing to 94/20/EC A50-1
C	4	M12 x 40 x 1.75mm Bolts, Lock Washers and Large Flat Washers (50mm O.D)
D	2	M10 x 80 x 1.50mm Bolts, Lock Washers and Large Flat Washers (25mm O.D)
E	4	M8 x 30 x 1.25mm Bolts, 2 Special Tab Nuts, Lock Washers and 6 Flat Washers (20mm O.D)
CB	2	M16 x 50mm Coupling Bolts, Nuts and Lock Washers
Z	1	ZEP35 Electrical plate (not shown)

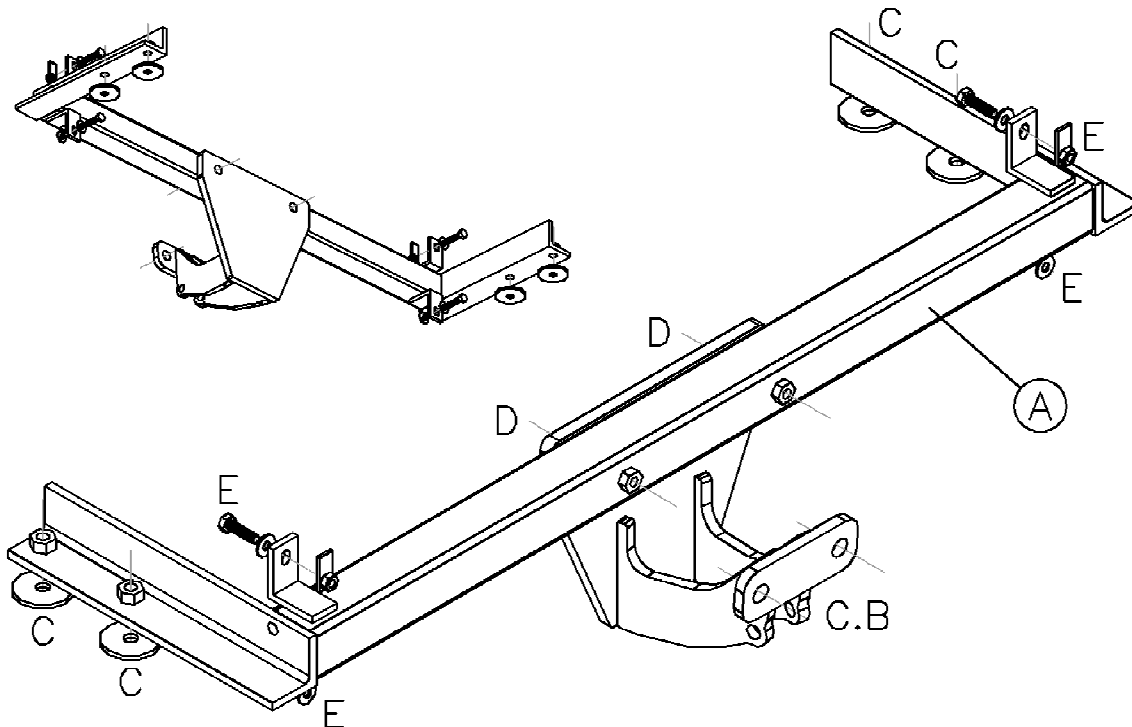
## FITTING

- Note:** This towbar is **not** designed for the early (**Mk. 1**) Sedona, with the **steel** inner bumper beam. This car is distinguished by having **black** door handles. It is possible for experienced fitters to fit the towbar to a Mk. 1 version, if metal bumper beam is cut extensively (500mm either side of its centre line, 110mm deep), lower middle bumper cleat cut off flush, bumper cut 190mm wide by 30mm deep, no need to use Bolts (E).
- Remove spare wheel. Remove rear light clusters by unscrewing the 2 visible screws and pushing the cluster gently **outwards**. Remove bumper (6 fasteners on upper side of rear panel of bumper, 5 around each wheel arch, 1 behind each light cluster, 4 on underside of bumper, 2 bolts on underside of each chassis rail). Remove bumper support brackets from plastic bumper beam.
- Insert ends of Towbar Mainframe (A) into chassis rails, push crossbar against rear valance, insert and temporarily tighten Bolts (C). Using the 2 holes located towards the centre of the crossbar as guides (D), mark and drill through the rear valance for Bolts (D). Open holes up from the **spare wheel side only** to enable insertion of a 17mm socket.
- Remove towbar. **Ensure outer skin of bumper is protected from the towbar**, and temporarily assemble towbar to inside of vehicle bumper, the 4 tags at (E) will align with corresponding holes in the inner plastic bumper beam, formerly used by the bumper support brackets. Drill out the holes in the inner plastic beam with a 13 mm diameter drill. Attach towbar to bumper using Bolts (E), 2 Special Tab Nuts and 2 Washers (E) as shown. Reuse the original M8 nuts for the lower tags. Do not tighten, (this allows some movement when aligning towbar / bumper assembly to vehicle).
- Offer up towbar / bumper assembly to vehicle and locate in position using Bolts (C) and (D), **Tighten Bolts (C) and (D)**. Replace all bumper fasteners. Tighten Bolts (E).
- Refit light clusters and spare wheel. **Note:** Ensure **adequate clearance between tailgate and bumper** as tailgate opens.

**Note:** This towbar must be used with either a Witter Towball (part number Z1) or Class A50-1 or A50-X towball dimensionally conforming to A50-1 with a 'D' and 'S' value greater than or equal to that of the towbar.

Please refer to the vehicle specification for the trailer weight and nose limits, which **must be observed**.

**Recommended torque settings:** M8 - 27Nm, M10 - 53 Nm, M12 - 95 Nm, M14 - 150 Nm, M16 - 214 Nm



W001KA3A-FIT\$010802220000