



Fitting Instruction

TOWBAR KA46U
For Kia Niro 5D Hybrid 2017 –

MATERIALS

A	1	Main Crossbar
B	1	R/H Sidearm
C	1	L/H Sidearm
D	6	M10 x 35 x 1.25 Bolt, M10 Lock Washer, M10 Form A Washer
E	4	M12 x 40 x 1.75 Bolt, M12 form A Washers, M12 Nyloc Nut
ZN	1	Neck option
ZE	1	Electrical plate option

Note: This towbar must be used with either a Witter Towball (part number Z11) or Class A50-1 or A50-X towball, which dimensionally conforms to A50-1 with a 'D' and 'S' value greater than or equal to that of the towbar.

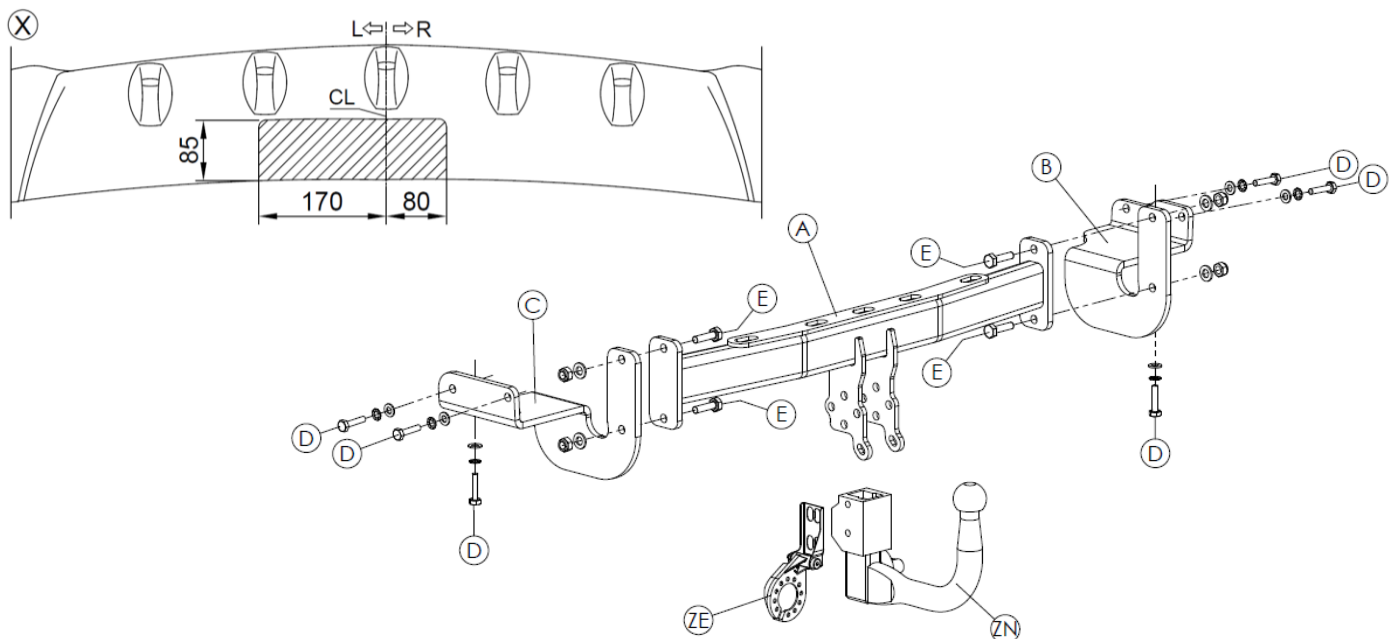
FITTING

1. Remove rear light units: open luggage compartment door, pull out cover between the door and rear light units and remove two exposed screws, pull off rear light units from vehicle and unclip electrical wiring. Remove from bumper exposed plastic rivet and screw at each rear light unit.
2. Remove plastic panels under vehicle at left and right corner.
3. Remove bumper:
Release electric wiring connector leading to rear bumper (located under vehicle at lower edge of rear panel).
Remove 4 fixing bolts of crash beam from rear panel under vehicle.
Remove splash guard, a plastic rivet from lining and a bumper tip screw at each rear wheel arch.
Carefully pull off the bumper sides from their clamps and release the bumper (with crash beam) off of vehicle.
4. Remove crash beam from bumper and remove middlemost bumper bracket from crash beam; this bracket is not remounted.
5. Cut a recess to the bumper according to sketch (X).
6. Mount side arms (B) and (C) to existing nuts on side rails and hand tighten using fixtures (D).
7. Mount cross bar (A) to side arms (B) and (C) using fixtures (E).
8. On the left plastic panel cut a notch allowing it so sit flush on sidearm (C) (avoiding fixing D), secure with its original rearmost fixing.
9. Mount selected ball neck (ZN) and socket plate (ZE) to cross bar (A) in accordance with separate instructions.
10. Align towbar and fully tighten bolts and nuts to recommended settings.
11. Re-attach crash beam into the bumper, and mount bumper back to the vehicle.
12. Mount other removed parts back to vehicle.

Recommended torque settings:

Grade 8.8 bolts: M8 - 24Nm, M10 - 52Nm, M12 - 80Nm, M14 - 130Nm, M16 - 200Nm

Grade 10.9 bolts: M8- 35Nm, M10 – 70Nm, M12 – 120Nm



W 0001KA46UU-FIT\$010802220000