



Fitting Instructions

For Autotrail Motorhomes
Imala range 615, 620, 625, 715, 720, 730, 732 & 734 (2015-2017)
Tribute range 615, 620, 625, 715, 720, 726 & 736 (2015-)

MHA3U

MATERIALS

A	1	Cross Bar
B	2	Side Arm
C	4	M12 x 95 x 1.75 Bolts, Nyloc Nuts, Flat Washers (40mm O.D.) and 60mm long Plated Bush
D	4	M12 x 40 x 1.75 Bolts, and Nyloc Nuts
ZE	1	Retractable Electrical Plate
ZN	1	Neck Kit.

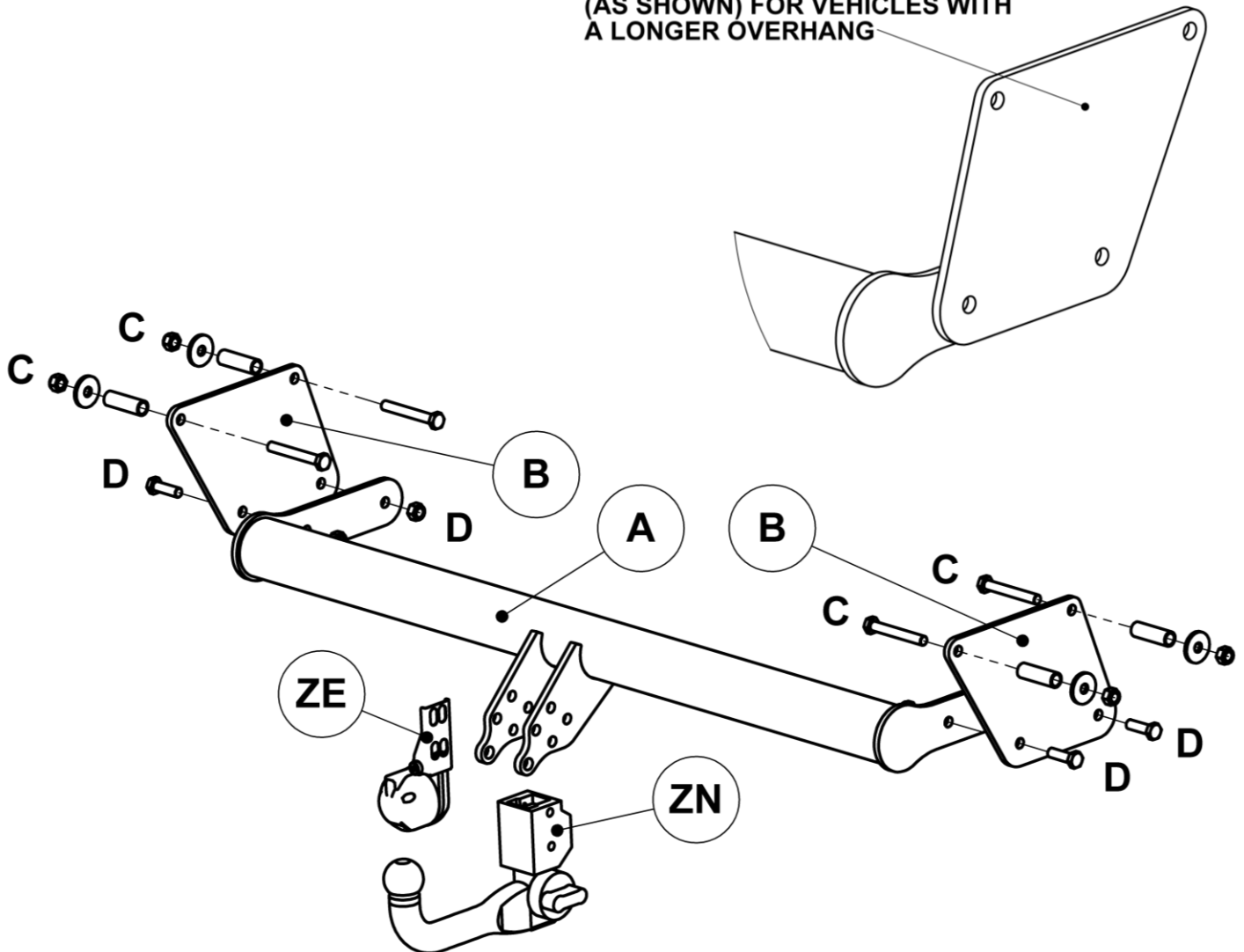
FITTING

1. Loosely attach Sidearms (**B**) to the inner face of each chassis rail using fasteners (**C**), inserting bushes between the chassis legs. See note below regarding body overhang.
2. Loosely attach Crossbar (**A**) to each Side Arm (**B**) using fasteners (**D**).
3. Assemble the Neck Kit (**ZN**) and Electrical Plate Kit (**ZE**) to Cross Bar (**A**) using fasteners and instructions from the relevant kit.
4. **Fully Tighten all Fasteners to recommended torque settings.**

Recommended torque settings:

Grade 8.8 bolts: M12 - 80 Nm, M16 - 200 Nm

NOTE: SIDEARMS (B) REVERSED (AS SHOWN) FOR VEHICLES WITH A LONGER OVERHANG



W0001MHA3U-FIT\$01149160000Ä

W0001MHA3U-FIT\$01149160000