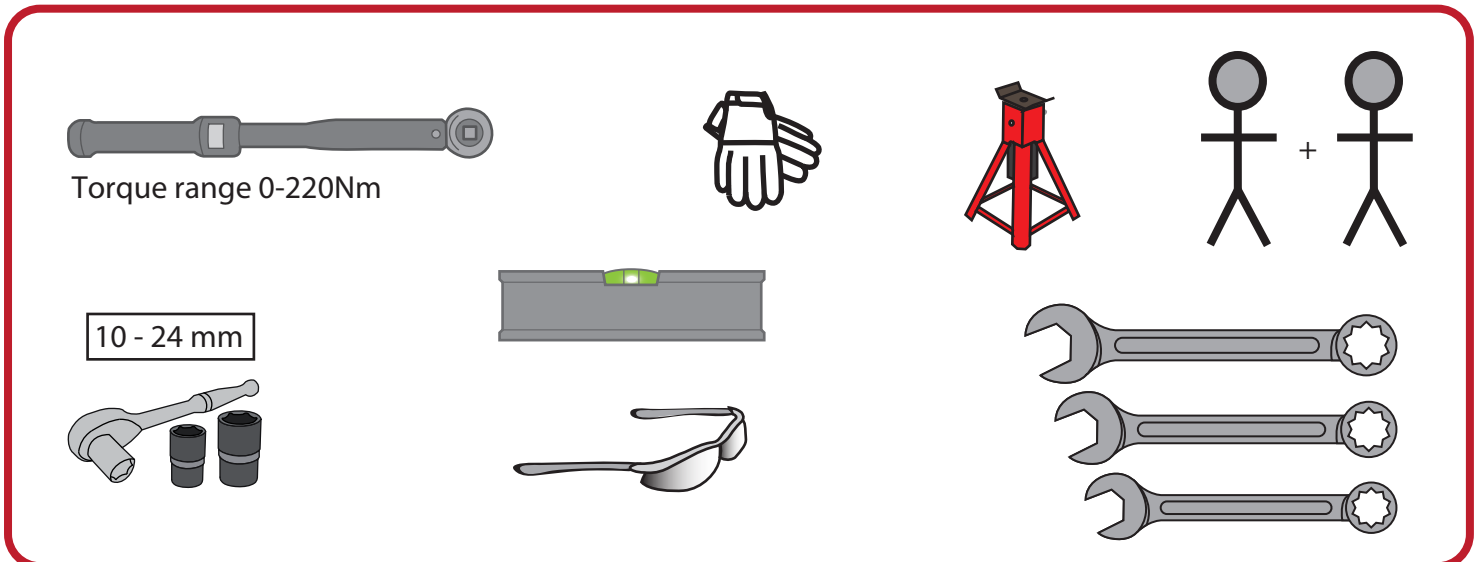
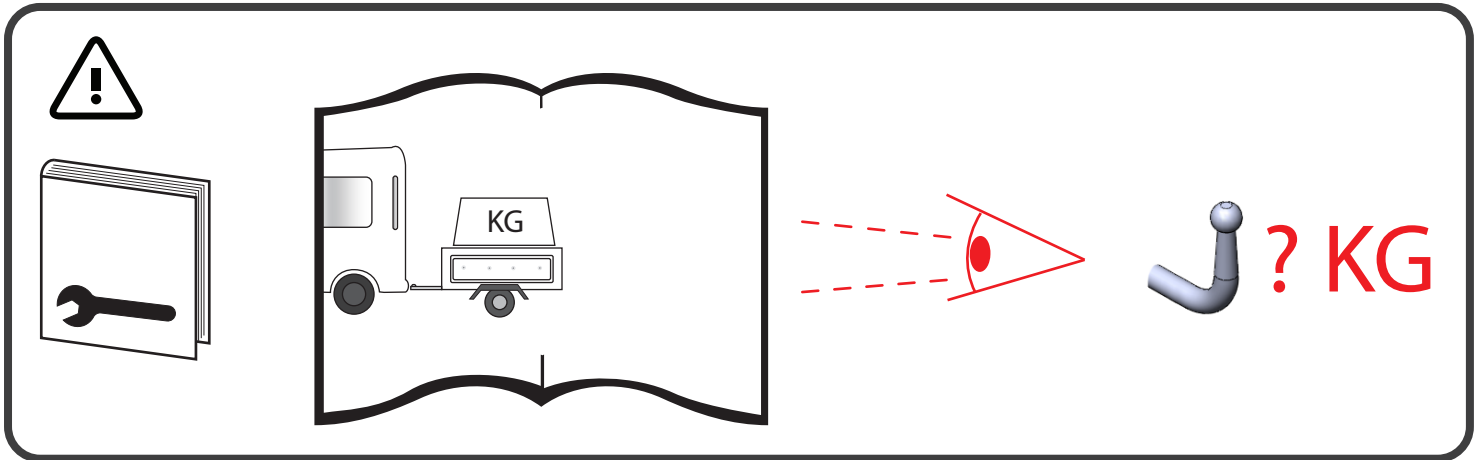
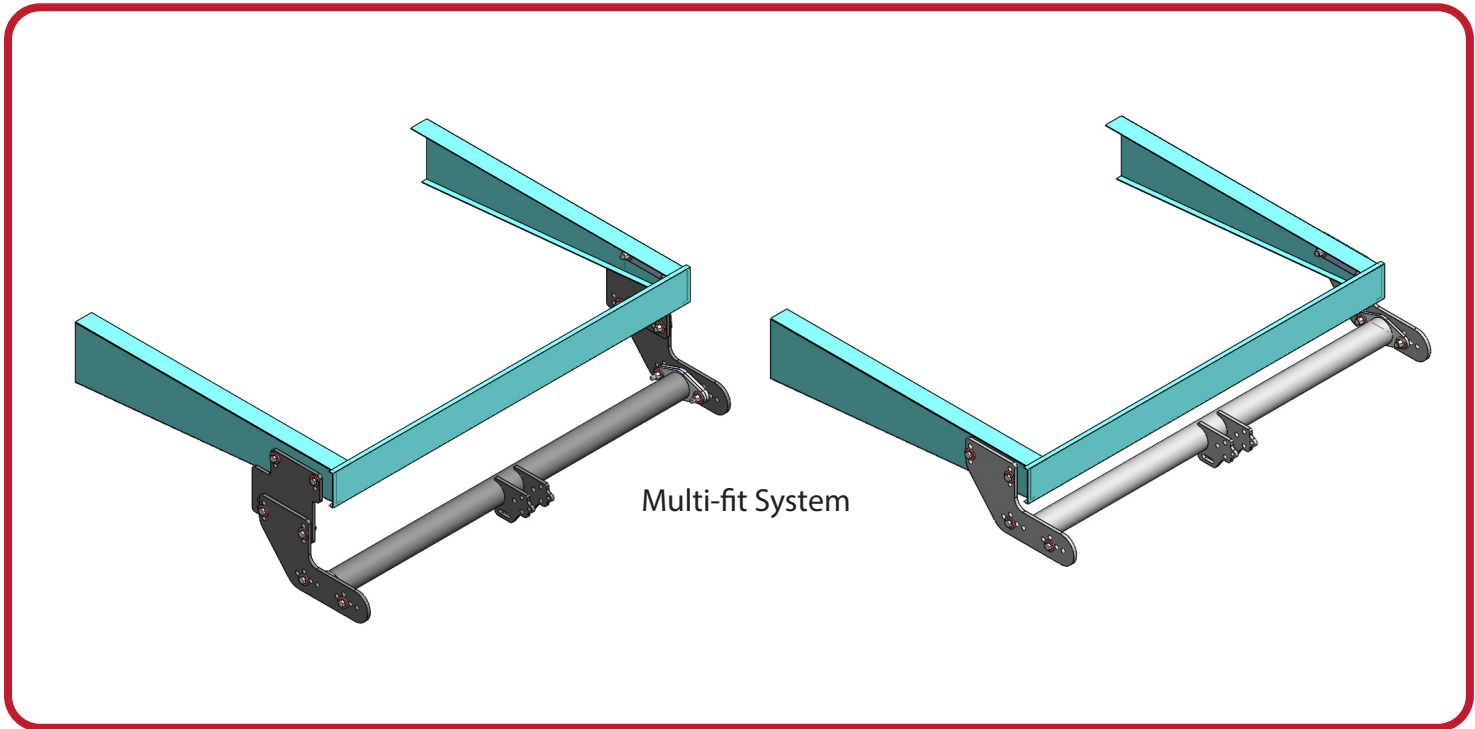


























MHS-FIT v1

Installation Instructions

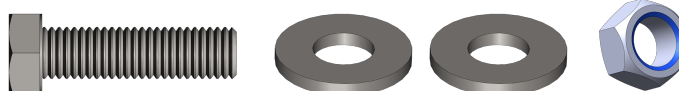
for MHS1U / MHS2U **Motorhome Towbars.**



Motorhome Towbar Configuration

MHS1Q MHS1S	ZQE3008 ZSE3008		MHS1U - (A)	(B)	(C)	(D)	(E)	(F)
		1288mm						
MHS3Q MHS3S	ZQE3002 ZSE3002		MHS1U - (A)	(B)	(C)	(D)	(E)	(F)
		1288mm						
MHS2Q MHS2S	ZQE3008 ZSE3008		MHS2U - (A)	(B)	(C)	(D)	(E)	(F)
		1215mm						
MHS4Q MHS4S	ZQE3002 ZSE3002		MHS2U - (A)	(B)	(C)	(D)	(E)	(F)
		1215mm						

(G) 16 M12 x 1.75 x 45mm



(H) 4 M12 x 1.75 x 60mm



(to be used with parts (D) as extra bolt length is required).

(I) 8 Black Caps



Note: Be sure to observe separate installation instructions provided with each Neck variant
 Electrical socket holder and mounting sets may vary.

Towbars are safety components and should only be installed by qualified personnel.

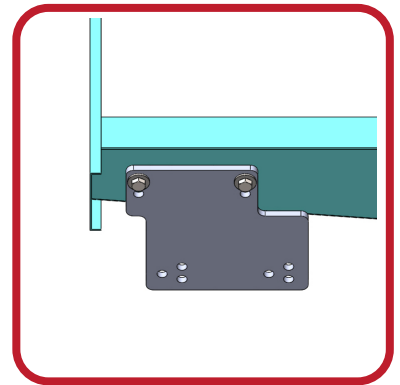
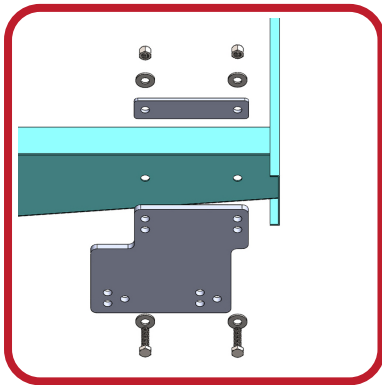
Tightening torques

M	Grade	Nm
M12	8.8	95Nm

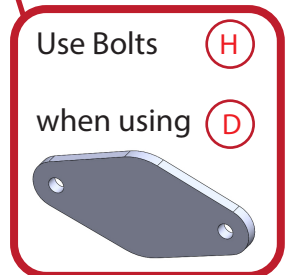
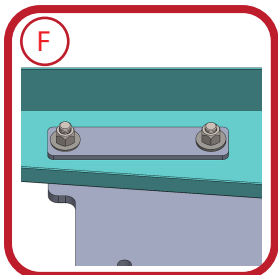
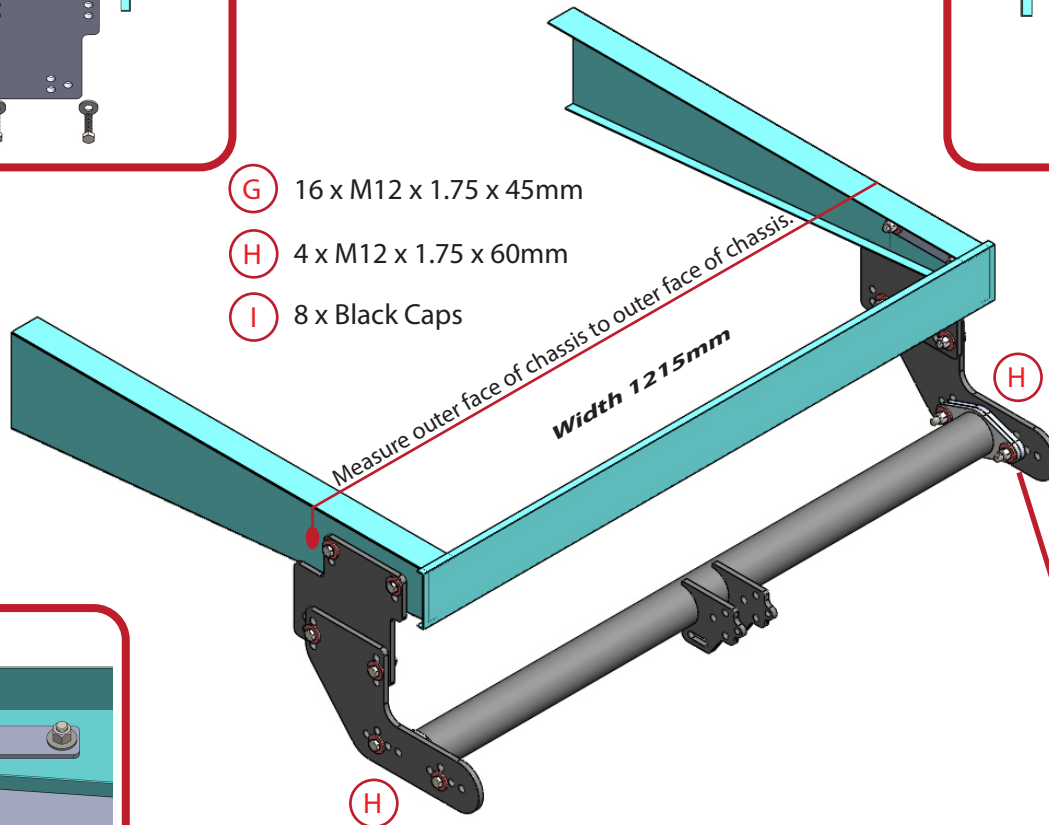
Model	System	Model	System
Bessacarr 444 Low	10	Espirit 412 Low	7
Bessacarr 412 Low	7	Espirit 462 Low	7
Bessacarr 462 Low	7	Espirit 464 High	7
Bessacarr 464 High	7	Espirit 454 Low	7
Bessacarr 454 Low	7	Espirit 442 Low	7
Bessacarr 442 Low	7	Espirit 444 Low	10
Bessacarr E444 High	1	Espirit 484 Low	8
Bessacarr E412 Low	4	Espirit 496 High	9
Bessacarr E434 High	4	Hi-Syle 644SD Low	1
Bessacarr E452 Low	4	Hi-Syle 636L High	2
Bessacarr E454 Low	4	Hi-Style 532LP Low	4
Bessacarr E462 Low	4	Hi-Style 582PR Low	4
Bessacarr E464 High	4	Hi-Style 584PR High	4
Bessacarr 484 Low	8	Hi-Style594RS High	4
Bessacarr E496 High	2	Hi-Style 622FB Low	4
Bessacarr 496 High	9	Hi-Style 624FB Low	4
Bessacarr E520 Low	3	Kon-tiki 649 (Tag) Low&High	5
Bessacarr E540 Low	3	Kon-tiki 659 (Tag) Low	5
Bessacarr E562 Low	3	Kon-tiki 669 (Tag) Low&High	5
Bessacarr E564 Low	3	Lifestyle 624 High	6
Bessacarr E572 Low	3	Lifestyle 644 High	6
Bessacarr E582 Low	3	Lifestyle 664 Low	6
Bessacarr E584 Low	3	Lifestyle 686 High	7
Bolero 630EW Low	3	Lifestyle 696 High	7
Bolero 630PR Low	3	Sundance 532LP Low	4
Bolero 682FB Low	3	Sundance 582PP Low	4
Bolero 684FB Low	3	Sundance 584PR High	4
Bolero 712SB Low	3	Sundance 594RS High	4
Bolero 722FB Low	3	Sundance 622FB Low	4
Bolero 724FB Low	3	Sundance 624FB Low	4
Escape 624 High	6	Sundance 636L High	2
Escape 644 High	6	Sundance 644SD Low	1
Escape 664 Low	6		
Escape 686 High	7		
Escape 696 High	7		

1.

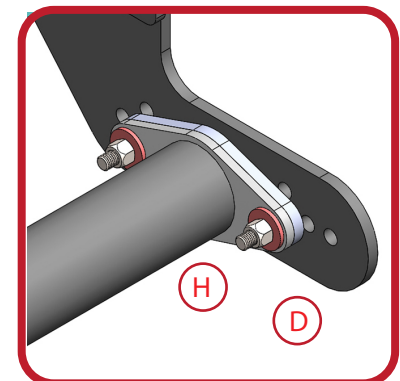
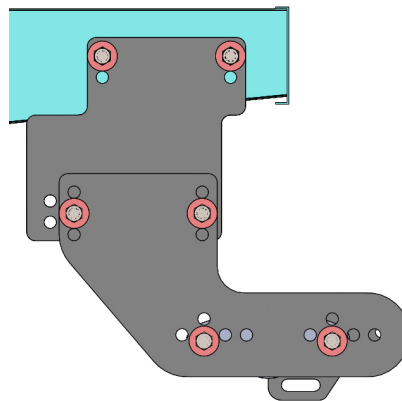
MHS4S ZSE3002
MHS4Q ZQE3002



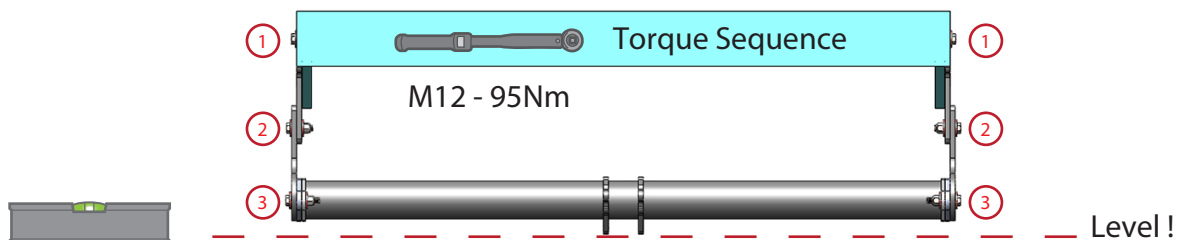
- G** 16 x M12 x 1.75 x 45mm
- H** 4 x M12 x 1.75 x 60mm
- I** 8 x Black Caps



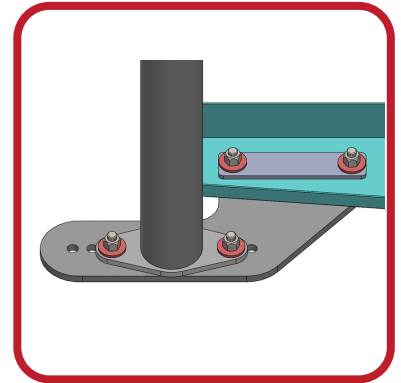
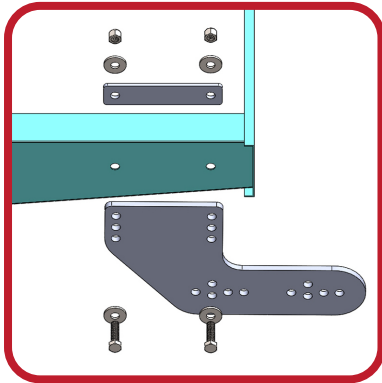
Important!
 At least 2.5 threads must be visible after tightening to ensure the Nyloc locking system can work properly.



1. Measure chassis width as shown with red line above - Ensure width is **1215mm** (+/- 4mm).
2. Assemble components together as shown in the above graphic.
3. Do not fully tighten until all components are assembled and equal/level.
4. For assembly instructions for the neck please read separate fitting instructions that come with the neck.
5. Fully tighten all bolts/nuts to the recommended torque settings.
6. Fit black plastic caps to the lower bolts and nuts.

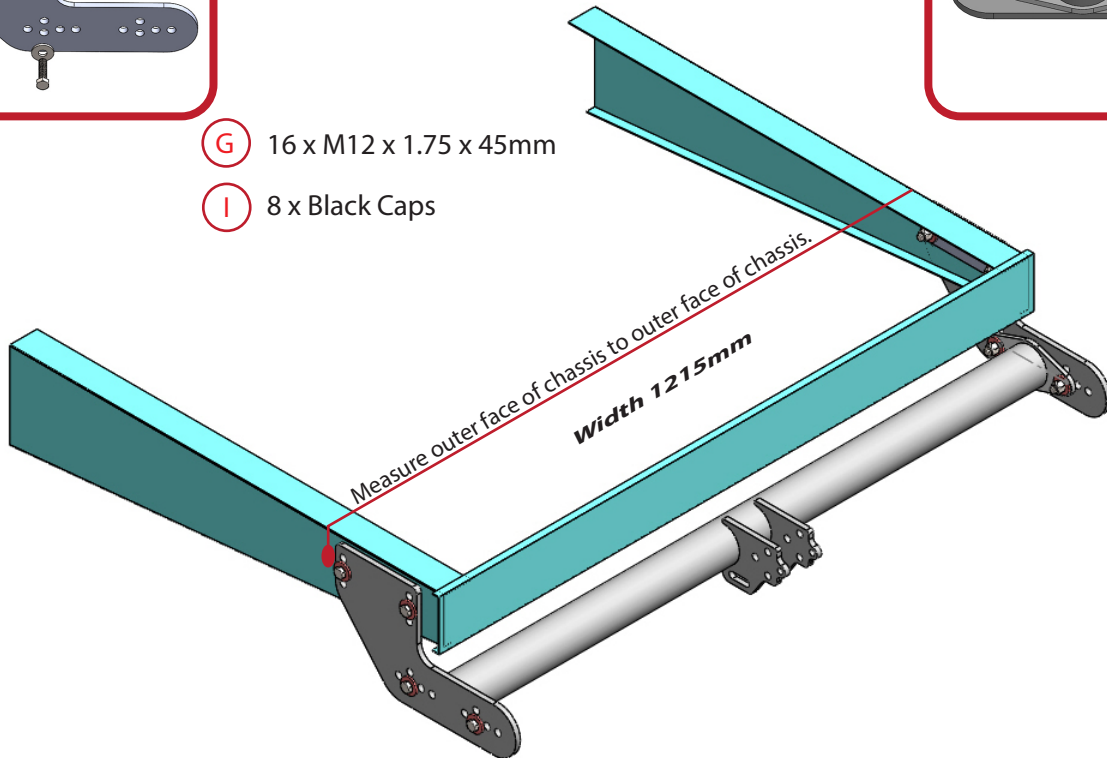


MHS2S ZSE3002
MHS2Q ZQE3002



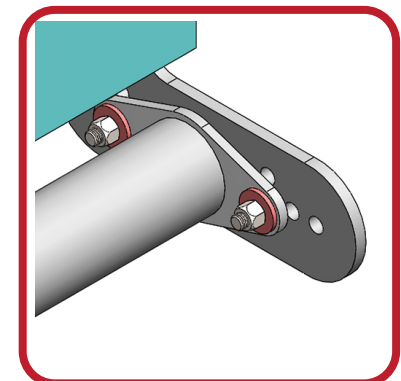
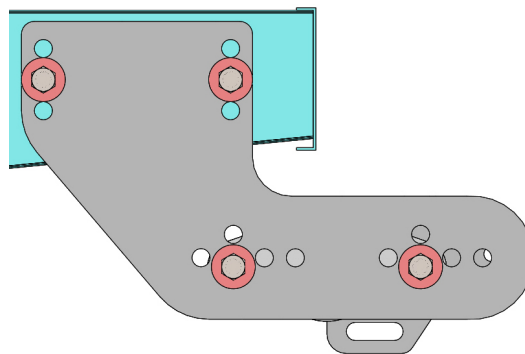
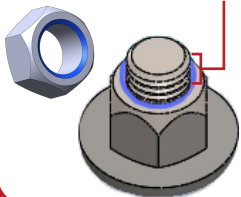
G 16 x M12 x 1.75 x 45mm

I 8 x Black Caps

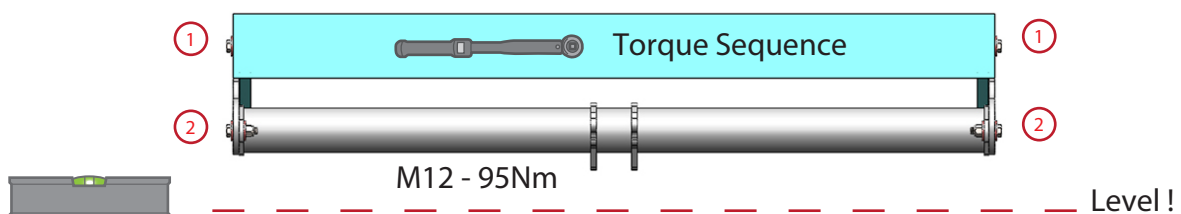


Important!

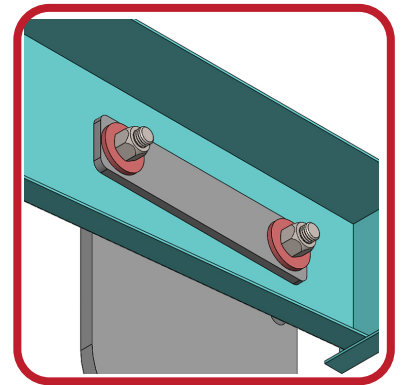
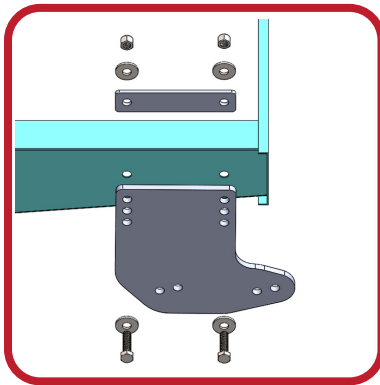
At least 2.5 threads must be visible after tightening to ensure the Nyloc locking system can work properly.



1. Measure chassis width as shown with red line above - Ensure width is **1215mm** (+/- 4mm).
2. Assemble components together as shown in the above graphic.
3. Do not fully tighten until all components are assembled and equal/level.
4. For assembly instructions for the neck please read separate fitting instructions that come with the neck.
5. Fully tighten all bolts/nuts to the recommended torque settings.
6. Fit black plastic caps to the lower bolts and nuts.

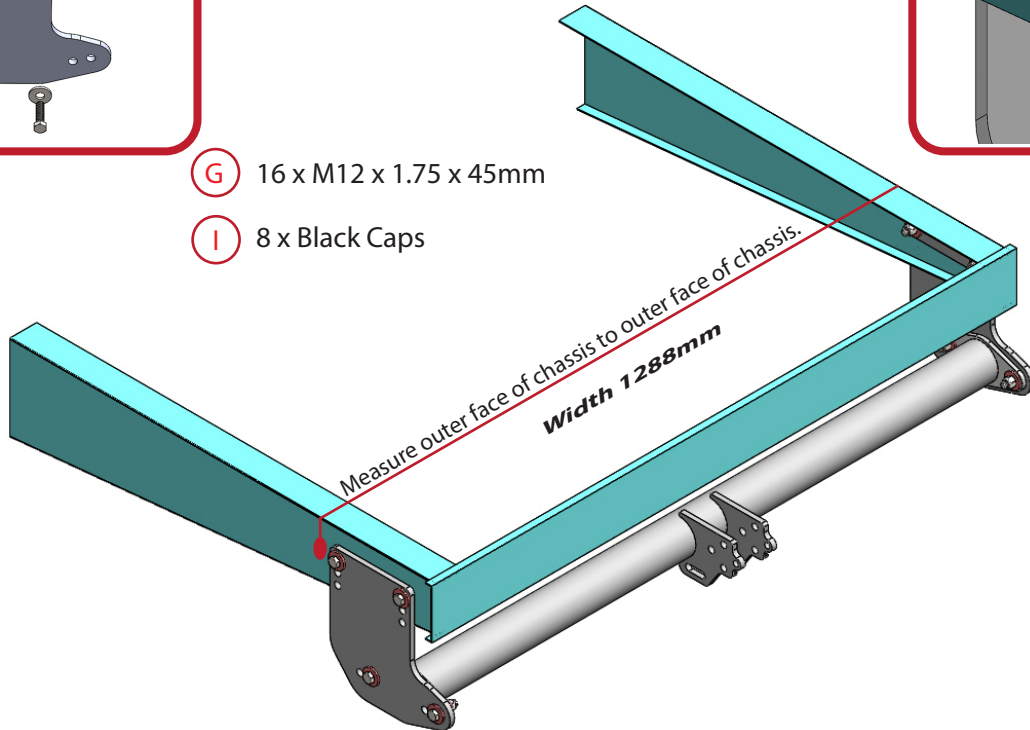


MHS1S ZSE3008
MHS1Q ZQE3008



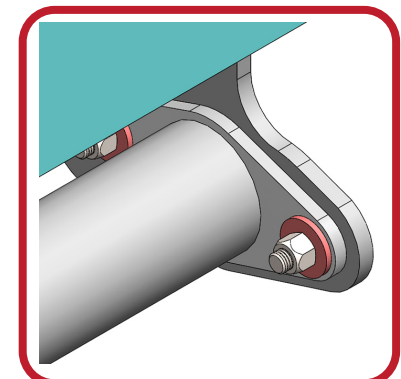
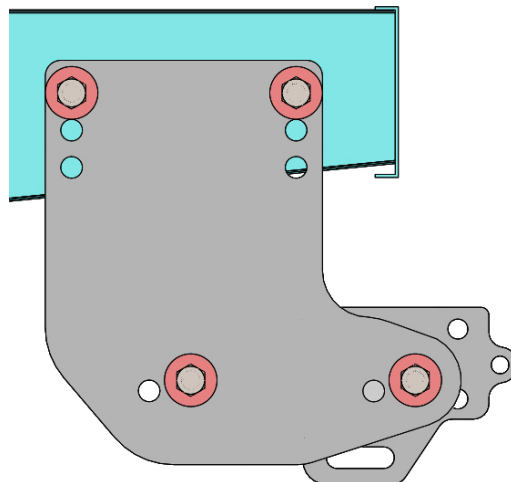
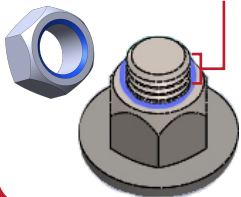
G 16 x M12 x 1.75 x 45mm

I 8 x Black Caps

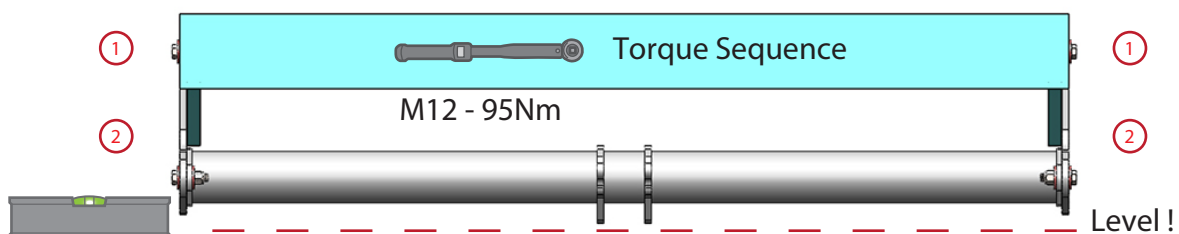


Important!

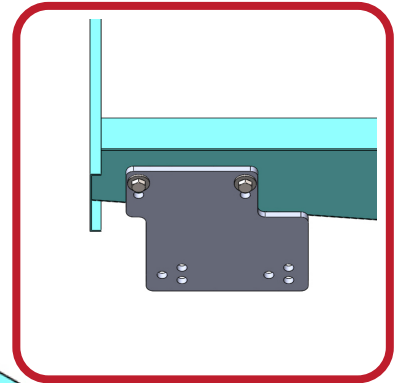
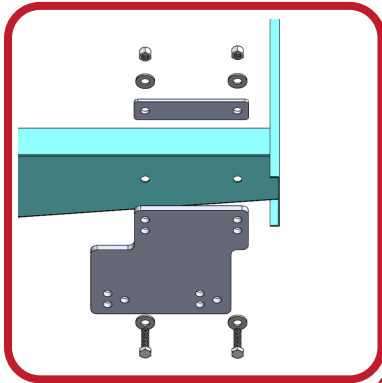
At least 2.5 threads must be visible after tightening to ensure the Nyloc locking system can work properly.



1. Measure chassis width as shown with red line above - Ensure width is **1288mm** (+/- 4mm).
2. Assemble components together as shown in the above graphic.
3. Do not fully tighten until all components are assembled and equal/level.
4. For assembly instructions for the neck please read separate fitting instructions that come with the neck.
5. Fully tighten all bolts/nuts to the recommended torque settings.
6. Fit black plastic caps to the lower bolts and nuts.

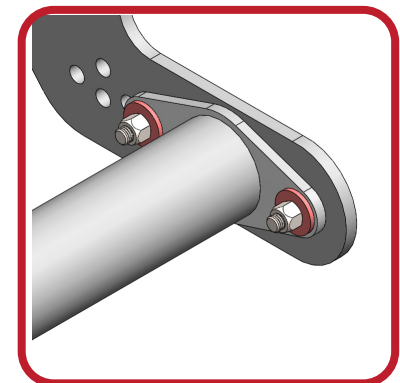
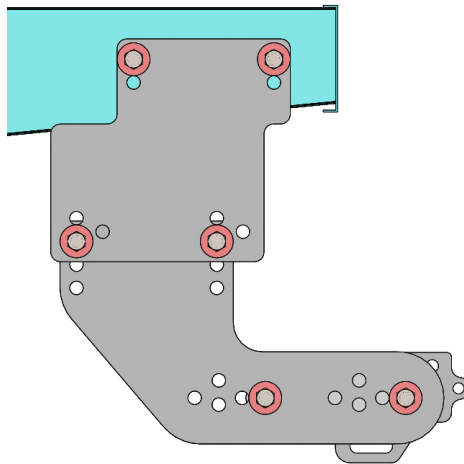
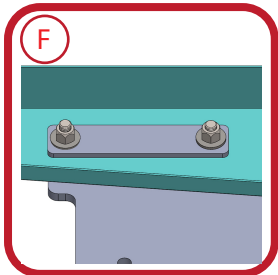
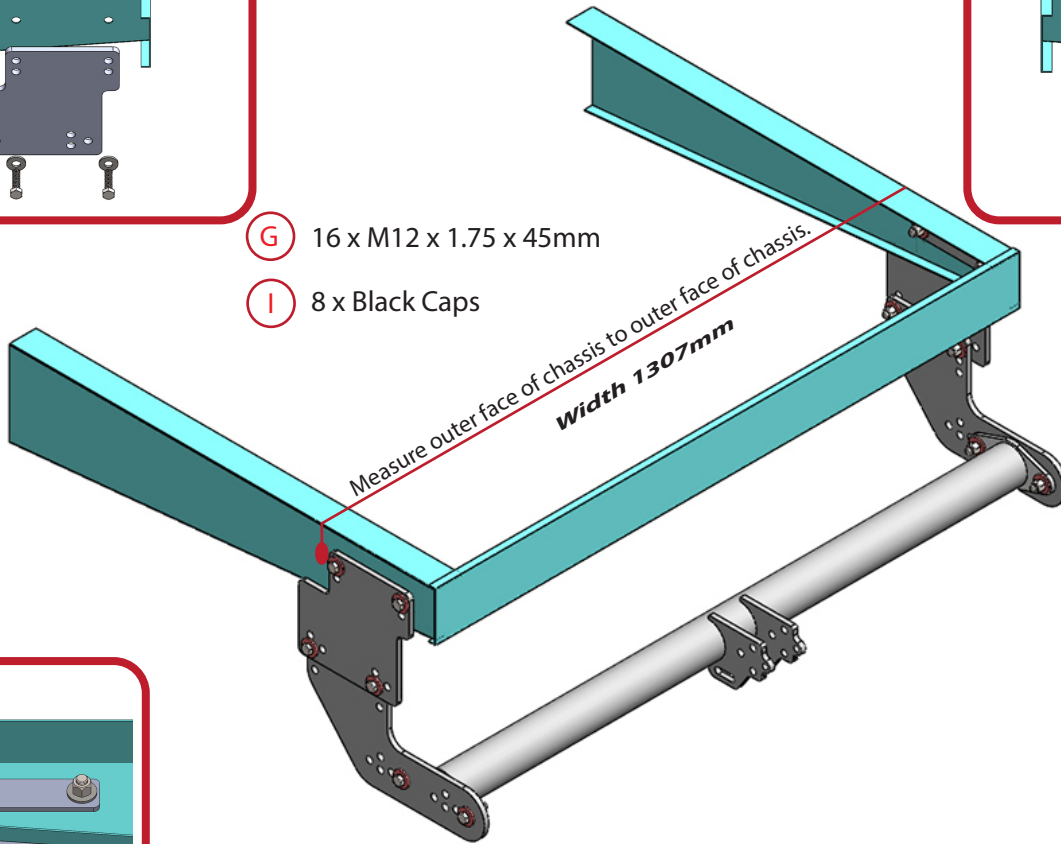


MHS3S ZSE3002
MHS3Q ZQE3002



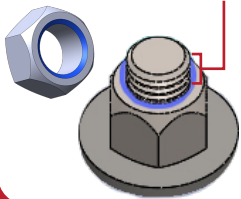
(G) 16 x M12 x 1.75 x 45mm

(I) 8 x Black Caps

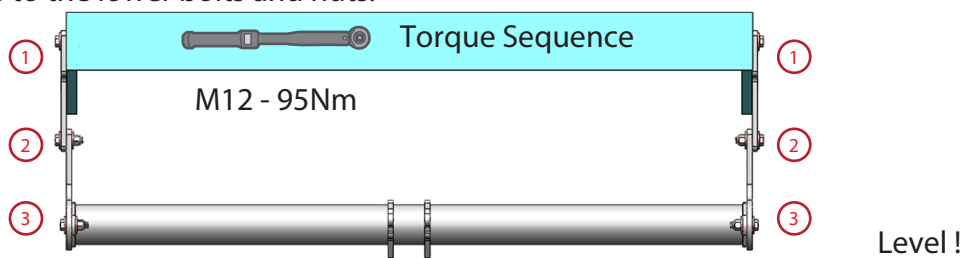


Important!

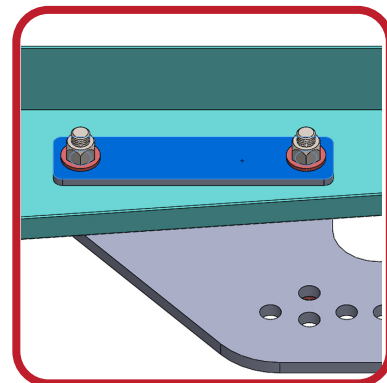
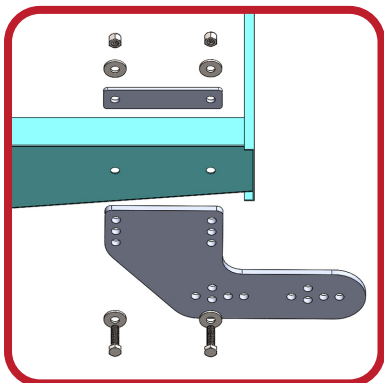
At least 2.5 threads must be visible after tightening to ensure the Nyloc locking system can work properly.



1. Measure chassis width as shown with red line above - Ensure width is **1307mm** (+/- 4mm).
2. Assemble components together as shown in the above graphic.
3. Do not fully tighten until all components are assembled and equal/level.
4. For assembly instructions for the neck please read separate fitting instructions that come with the neck.
5. Fully tighten all bolts/nuts to the recommended torque settings.
6. Fit black plastic caps to the lower bolts and nuts.

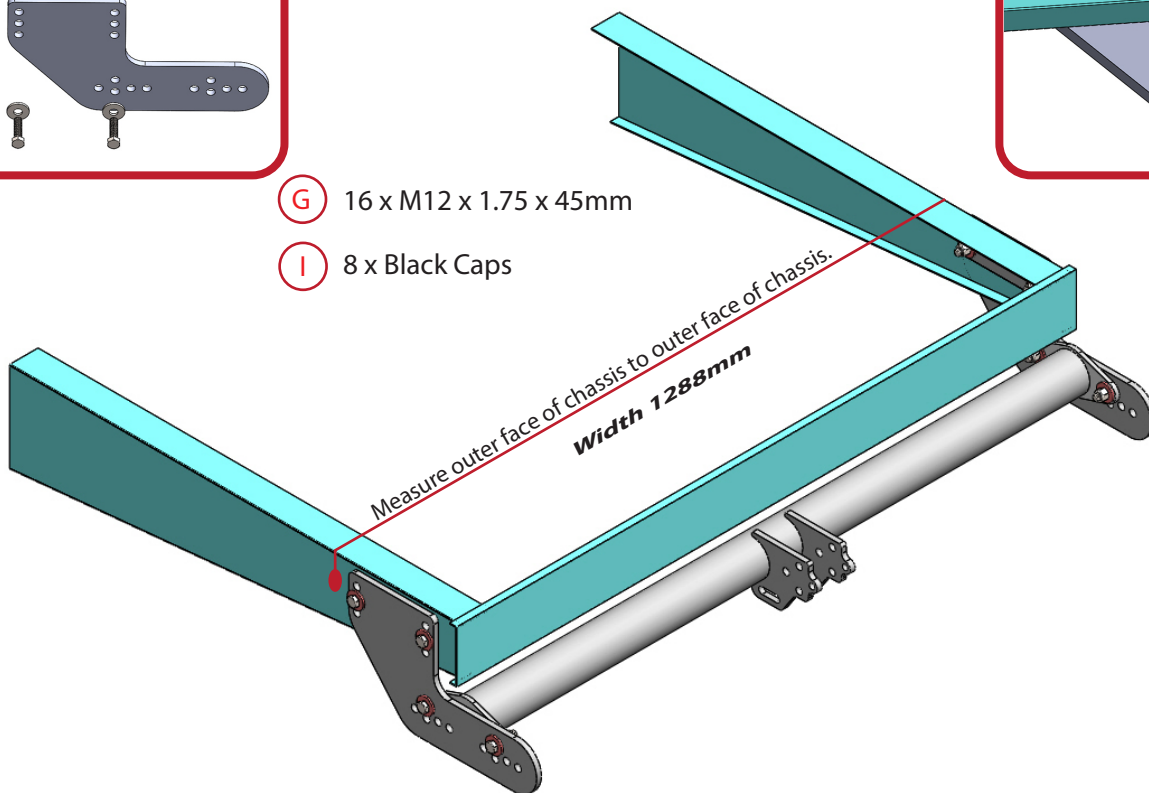


MHS1S ZSE3008
MHS1Q ZQE3008

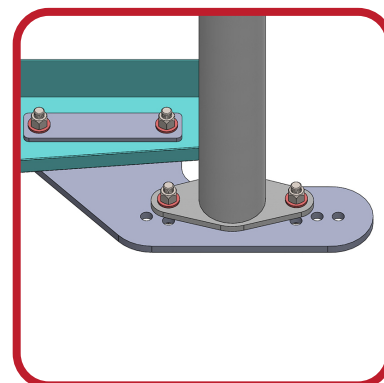
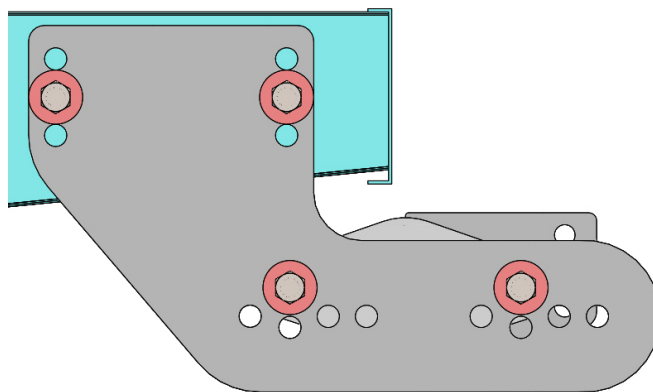


G 16 x M12 x 1.75 x 45mm

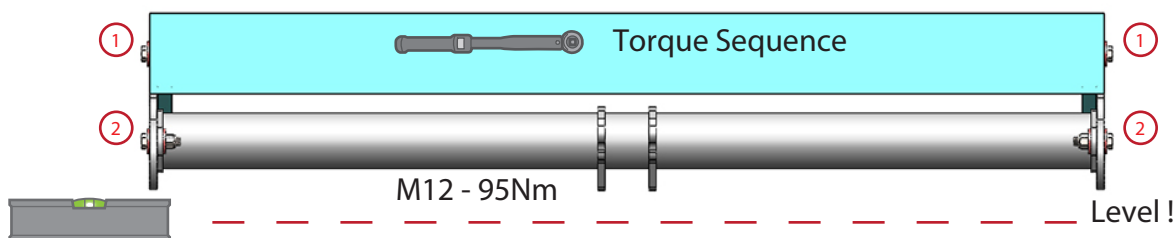
I 8 x Black Caps



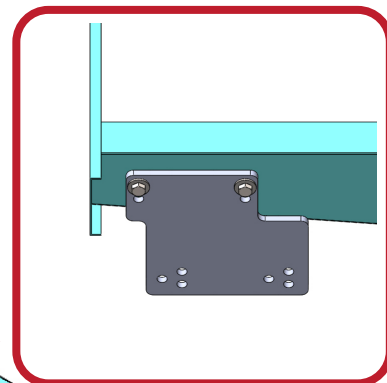
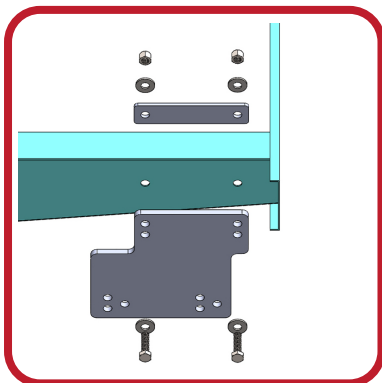
Important!
 At least 2.5 threads must be visible after tightening to ensure the Nyloc locking system can work properly.



1. Measure chassis width as shown with red line above - Ensure width is **1288mm** (+/- 4mm).
2. Assemble components together as shown in the above graphic.
3. Do not fully tighten until all components are assembled and equal/level.
4. For assembly instructions for the neck please read separate fitting instructions that come with the neck.
5. Fully tighten all bolts/nuts to the recommended torque settings.
6. Fit black plastic caps to the lower bolts and nuts.

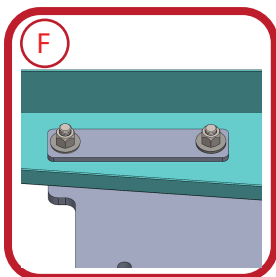
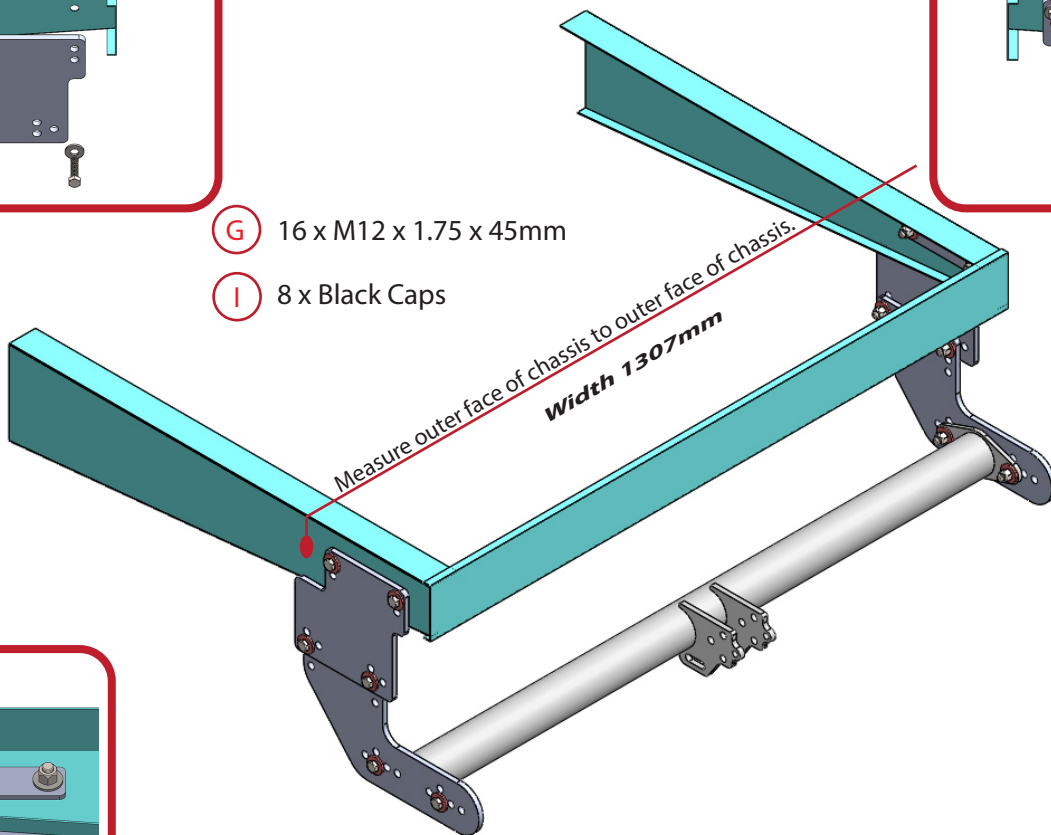


MHS3S ZSE3002
MHS3Q ZQE3002

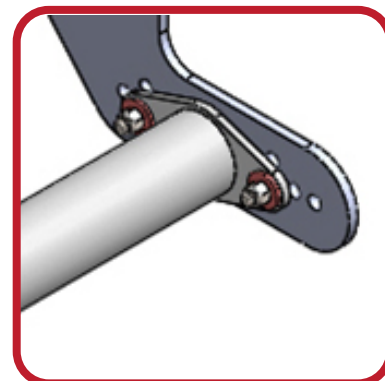
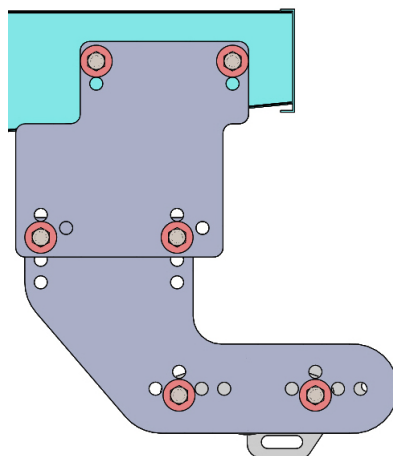


G 16 x M12 x 1.75 x 45mm

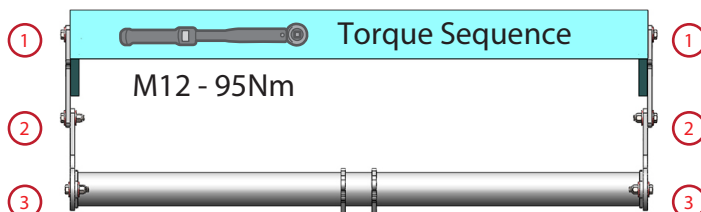
I 8 x Black Caps



Important!
At least 2.5 threads must be visible after tightening to ensure the Nyloc locking system can work properly.

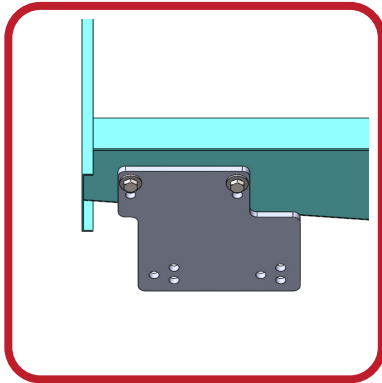
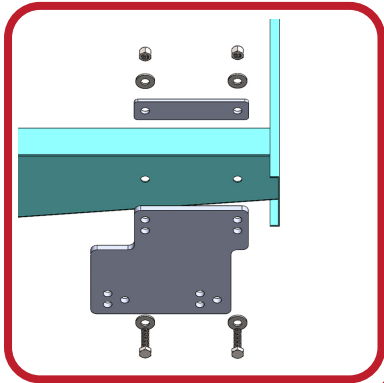


1. Measure chassis width as shown with red line above - Ensure width is **1307mm** (+/- 4mm).
2. Assemble components together as shown in the above graphic.
3. Do not fully tighten until all components are assembled and equal/level.
4. For assembly instructions for the neck please read separate fitting instructions that come with the neck.
5. Fully tighten all bolts/nuts to the recommended torque settings.
6. Fit black plastic caps to the lower bolts and nuts.



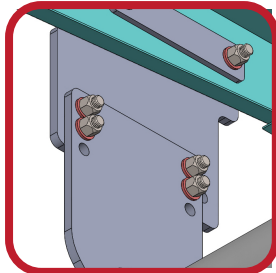
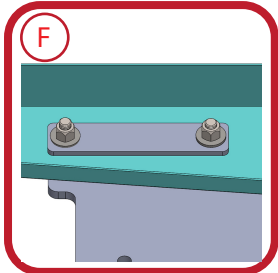
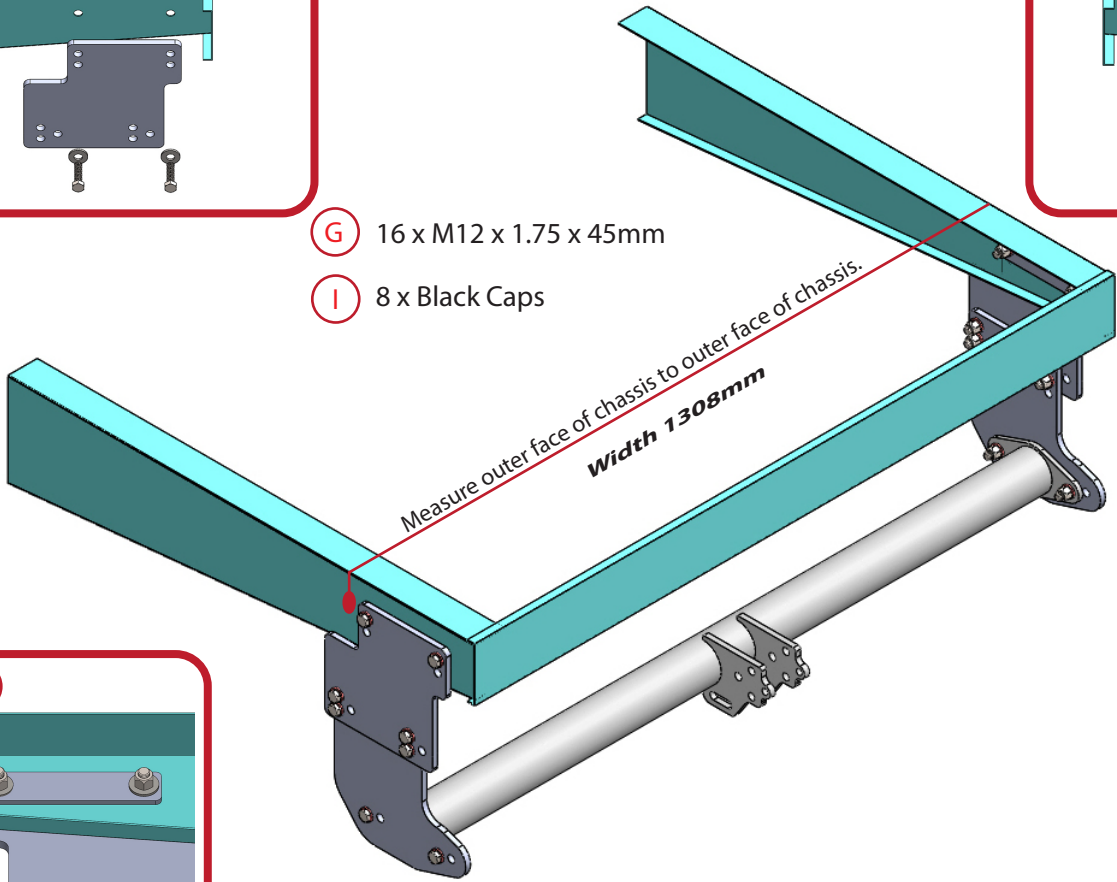
Level!

MHS1S ZSE3008
MHS1Q ZQE3008

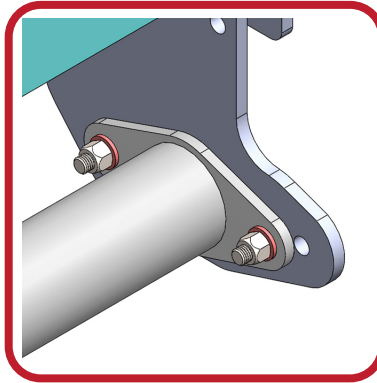
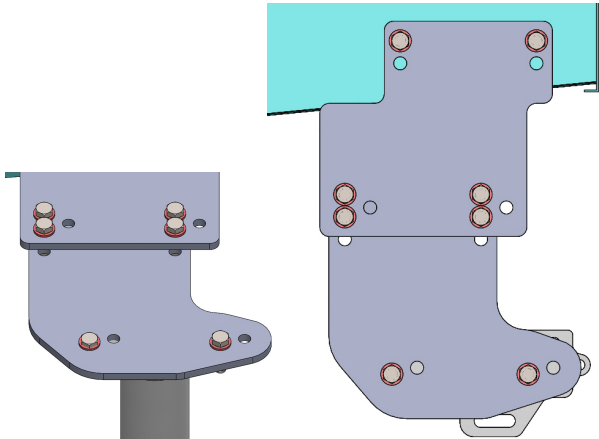


G 16 x M12 x 1.75 x 45mm

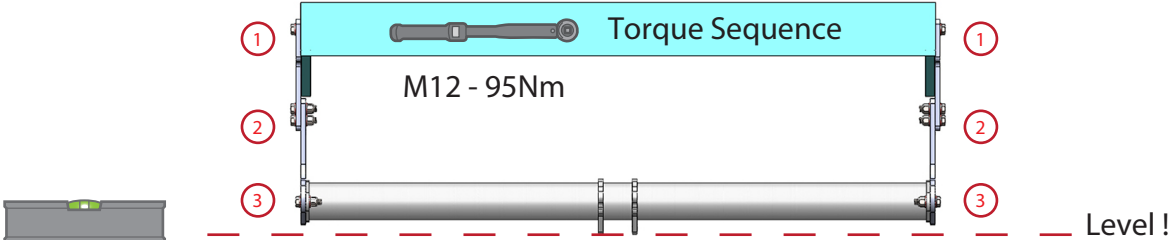
I 8 x Black Caps



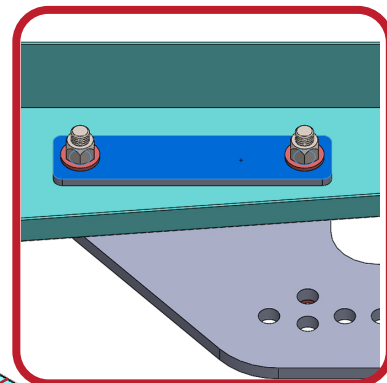
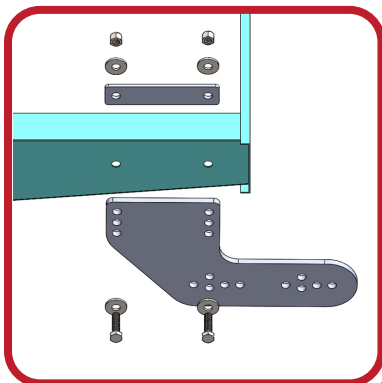
Important!
At least 2.5 threads must be visible after tightening to ensure the Nyloc locking system can work properly.



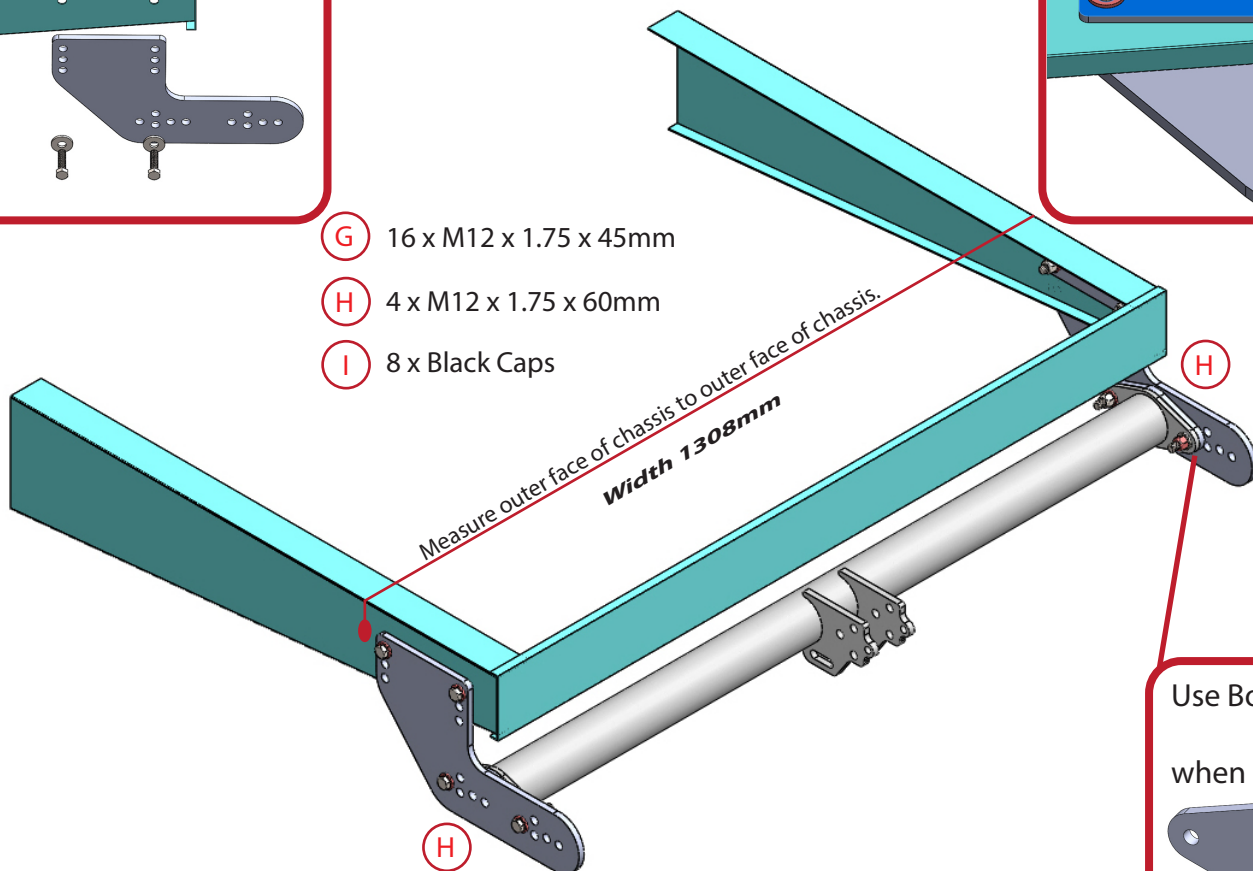
1. Measure chassis width as shown with red line above - Ensure width is **1308mm** (+/- 4mm).
2. Assemble components together as shown in the above graphic.
3. Do not fully tighten until all components are assembled and equal/level.
4. For assembly instructions for the neck please read separate fitting instructions that come with the neck.
5. Fully tighten all bolts/nuts to the recommended torque settings.
6. Fit black plastic caps to the lower bolts and nuts.



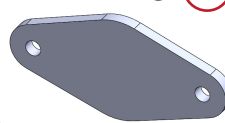
MHS1S ZSE3008
MHS1Q ZQE3008



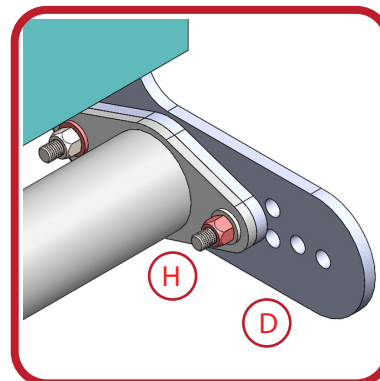
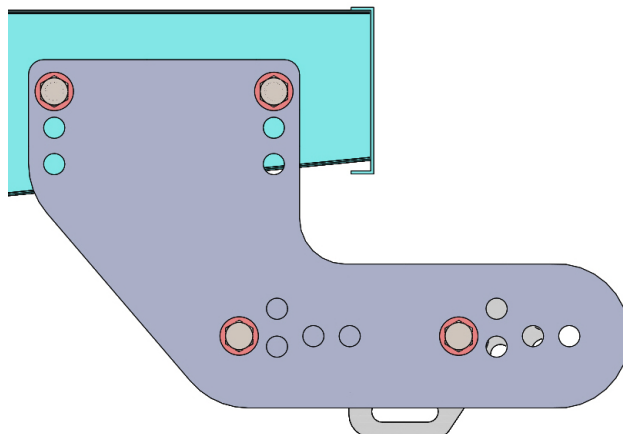
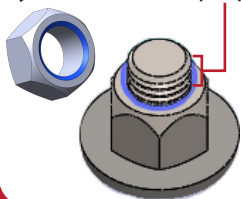
- G** 16 x M12 x 1.75 x 45mm
- H** 4 x M12 x 1.75 x 60mm
- I** 8 x Black Caps



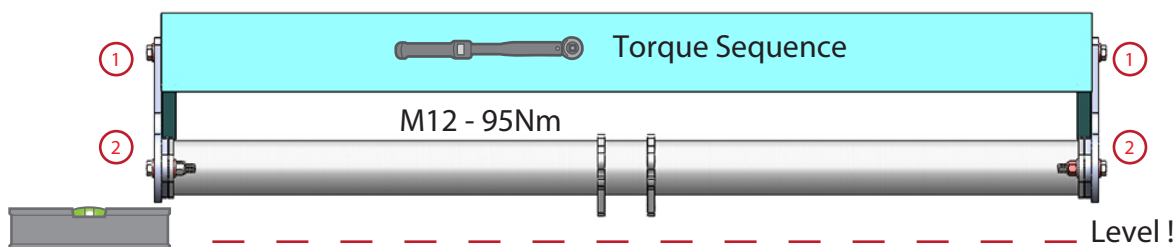
Use Bolts **H**
 when using **D**



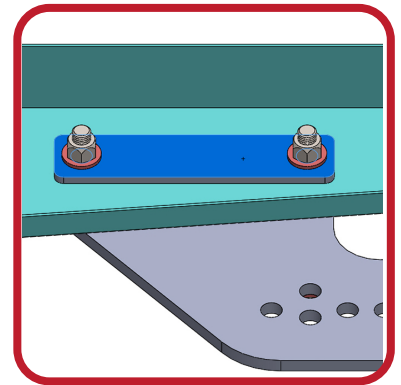
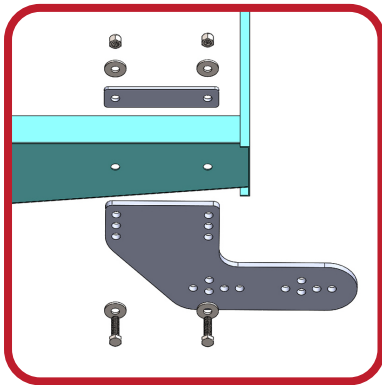
Important!
 At least 2.5 threads must be visible after tightening to ensure the Nyloc locking system can work properly.



1. Measure chassis width as shown with red line above - Ensure width is **1308mm** (+/- 4mm).
2. Assemble components together as shown in the above graphic.
3. Do not fully tighten until all components are assembled and equal/level.
4. For assembly instructions for the neck please read separate fitting instructions that come with the neck.
5. Fully tighten all bolts/nuts to the recommended torque settings.
6. Fit black plastic caps to the lower bolts and nuts.

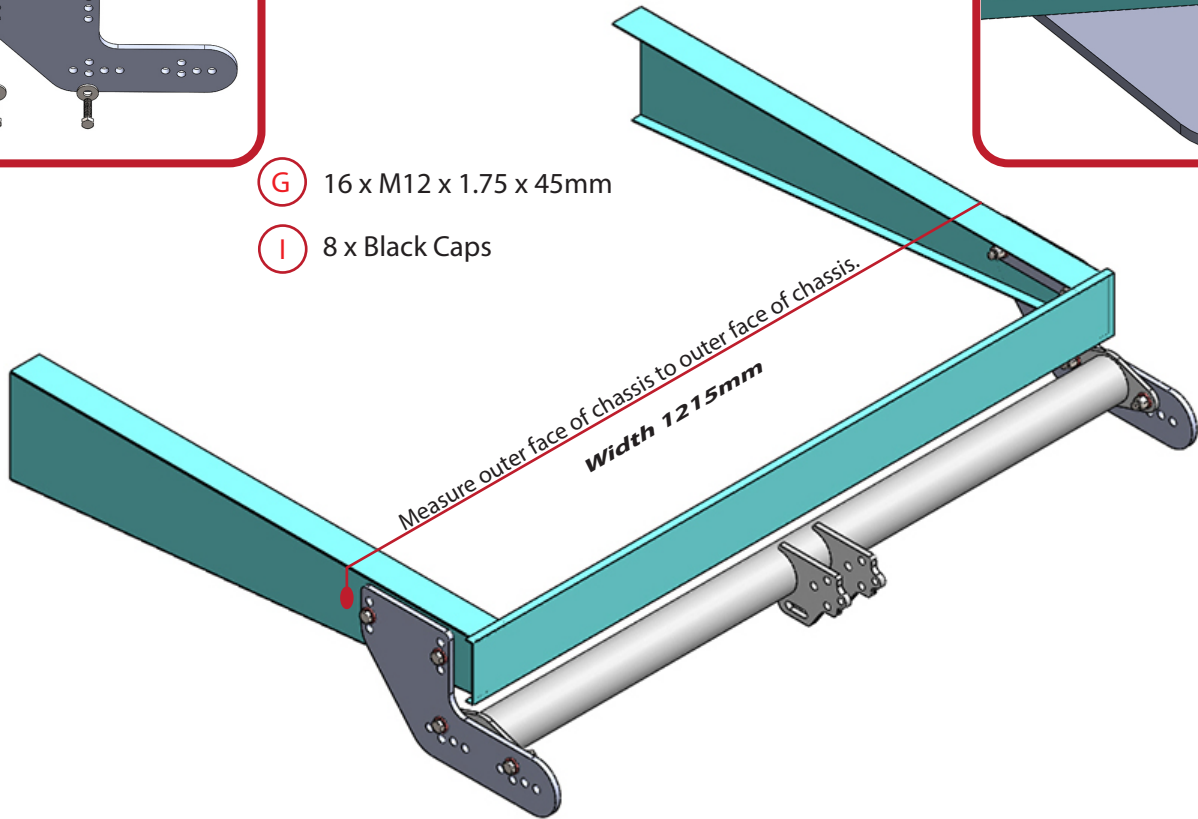


MHS2S ZSE3008
MHS2Q ZQE3008

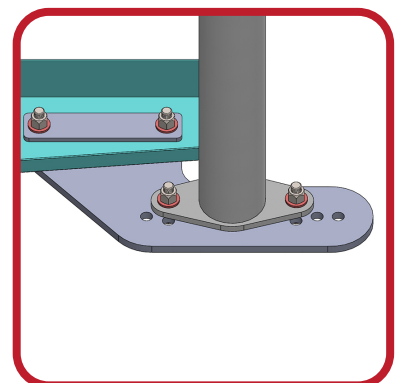
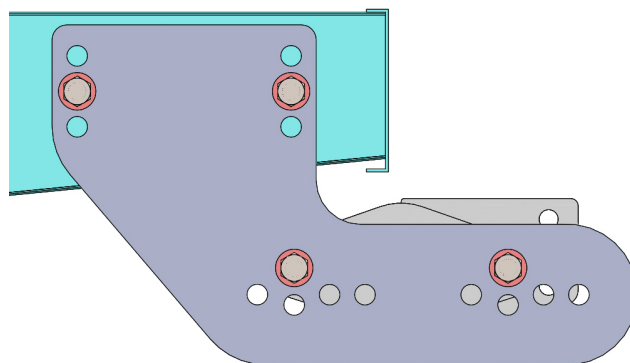


G 16 x M12 x 1.75 x 45mm

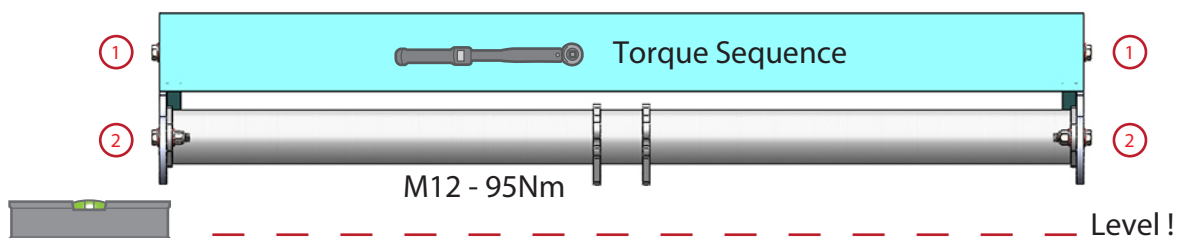
I 8 x Black Caps



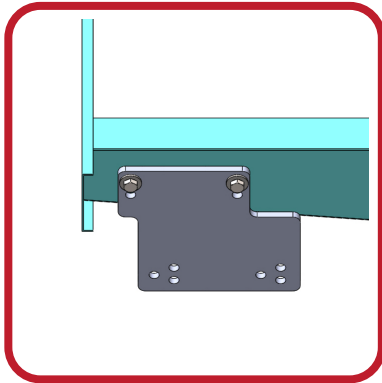
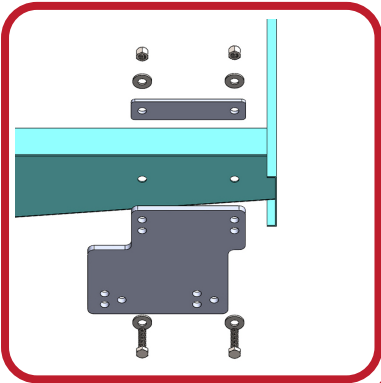
Important!
 At least 2.5 threads must be visible after tightening to ensure the Nyloc locking system can work properly.



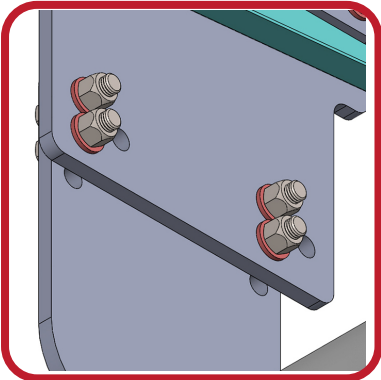
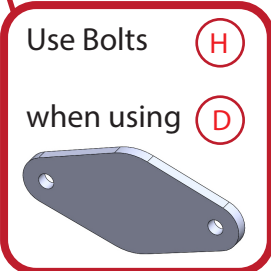
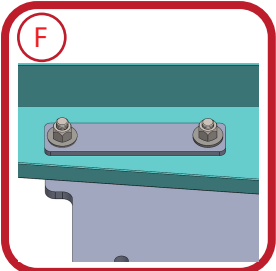
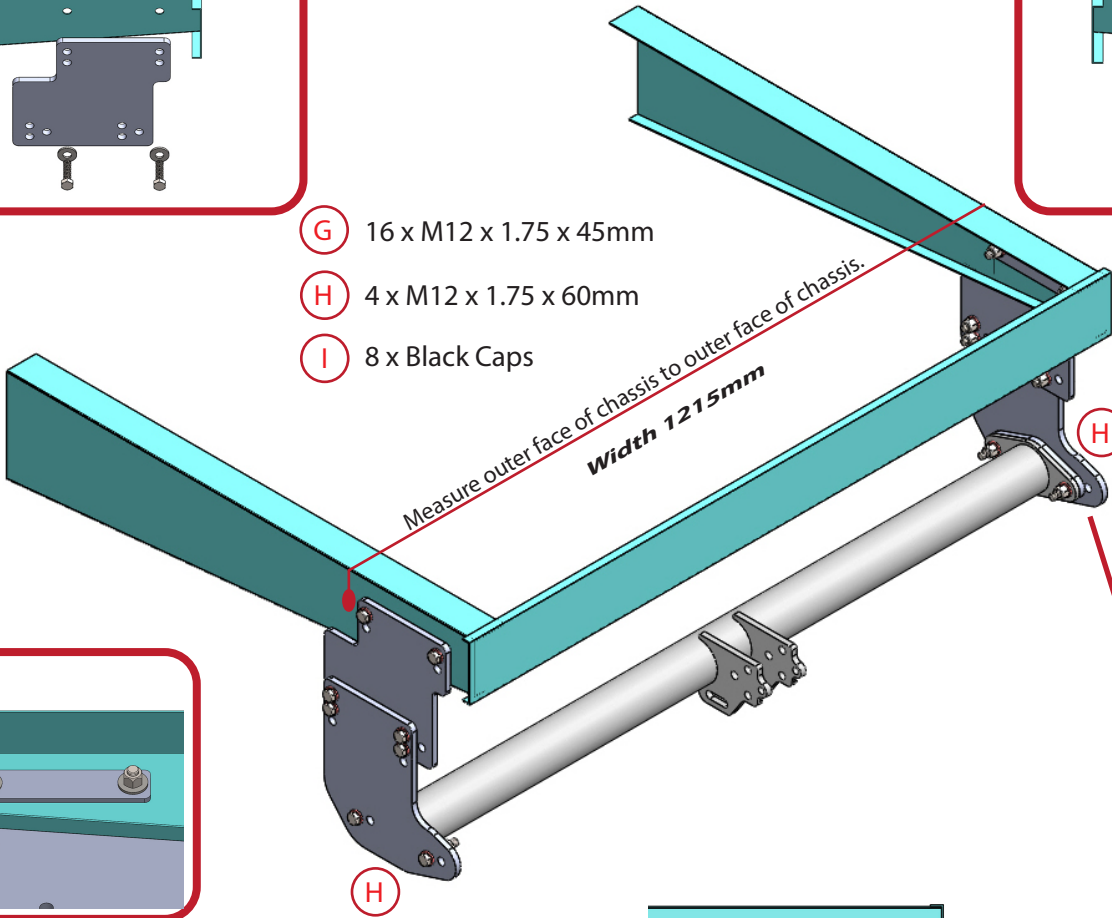
1. Measure chassis width as shown with red line above - Ensure width is **1215mm** (+/- 4mm).
2. Assemble components together as shown in the above graphic.
3. Do not fully tighten until all components are assembled and equal/level.
4. For assembly instructions for the neck please read separate fitting instructions that come with the neck.
5. Fully tighten all bolts/nuts to the recommended torque settings.
6. Fit black plastic caps to the lower bolts and nuts.



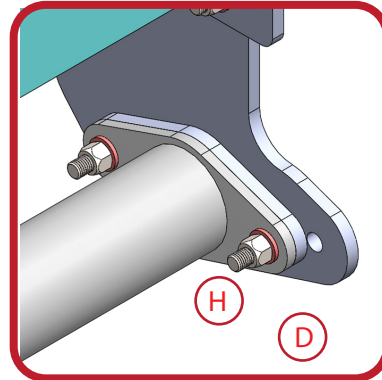
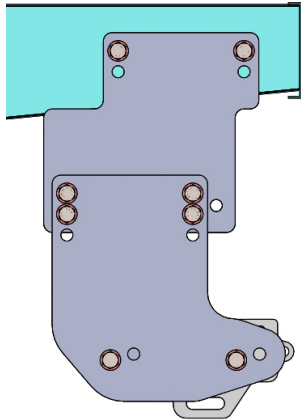
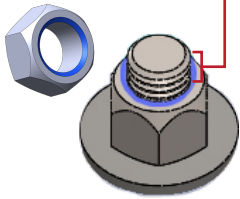
MHS2S ZSE3008
MHS2Q ZQE3008



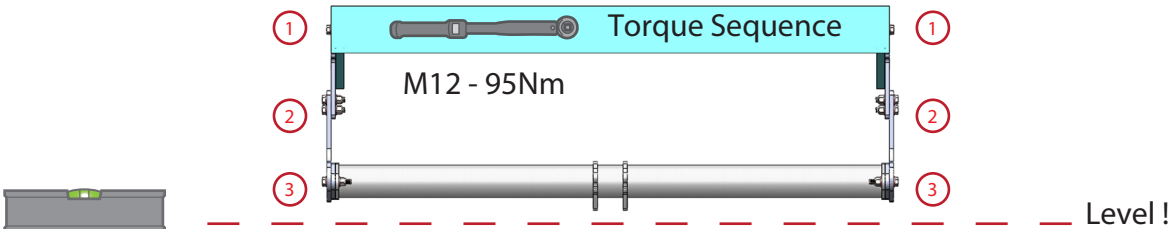
- G** 16 x M12 x 1.75 x 45mm
- H** 4 x M12 x 1.75 x 60mm
- I** 8 x Black Caps



Important!
 At least 2.5 threads must be visible after tightening to ensure the Nyloc locking system can work properly.



1. Measure chassis width as shown with red line above - Ensure width is **1215mm** (+/- 4mm).
2. Assemble components together as shown in the above graphic.
3. Do not fully tighten until all components are assembled and equal/level.
4. For assembly instructions for the neck please read separate fitting instructions that come with the neck.
5. Fully tighten all bolts/nuts to the recommended torque settings.
6. Fit black plastic caps to the lower bolts and nuts.



Important:

Please refer to the manufacturers handbook of the vehicle regarding the maximum towing capacity and S-value.
When towing the values of the vehicle manufacturer are to be followed strictly; the values of the towbar must however **not** be exceeded.

Warning:

The towbar is a safety component IF fitted & used correctly. It must be installed by qualified personnel/trained fitter.
If it is fitted or used incorrectly it can cause damage to you, your vehicle and anyone driving behind you.

If replacement parts are required they must also be fitted to the intact original part by a trained fitter.
Any changes or manipulations to the towbar are forbidden. Only use the fixing provided with the correct grade to fit the towbar.
The materials provided do not contain any interchangeable parts. Should any parts be missing or faulty please inform Witter Towbars accordingly.

- The fitting of the towbar needs to be carried out according to appendix VII of the guidelines 94/20/EC and Reg55..
- The overall weight allowed for the vehicle plus the object to be towed (e.g. Trailer) must not be exceed. The tested D-value and S-Value of the towbar must not be exceeded. The S-Value plate needs to be attached to the car in a highly visible position close to the towbar. The inside of the boot is also allowed.
- Re-tighten all fixings after every 1000km of towing or when servicing the Vehicle according to the torque values.
- The towball is always to be used slightly oily. If shock-mounts (vibration absorbers?) are used refer to the manufacturer's handbook.
- The diameter of the towball needs to be checked from time to time.
Should the diameter reach 49mm at any point of the towball it needs to be replaced due to safety reasons and cannot be used anymore. The towball and/or the towbar will need to be replaced.
- If additional mounting holes are drilled it needs to be checked that no electronic wires will be damaged.
Drilling chips are to be removed and all holes drilled need to be protected against corrosion and water damage.
- The electric kit needs to be installed by qualified personnel/trained fitter and it needs to be checked that all lights are working correctly.

Due to towing the characteristics of the vehicle are limited and a higher level of attention and care is required by the driver.
Towing has an increased impact on the cooling system of the vehicle.
Potential changes to the cooling system need to be requested from the local fitter/garage.
In some countries the maximum towing capacity of the vehicle needs to be stated (in kg).
The stated towing capacity only refers to the towball with housing and does not refer to the vehicle.

Mounting holes approved and standardized by the vehicle manufacturer have been complied with.
The free space as well as the towball middle according to appendix VII, fig. 30 of guideline 94/20/EG are guaranteed.

According to appendix I, No. 5.10 of the guideline 94/20/EG the certification of the towbar by an authorized expert or auditor is not required anymore.

These fitting instructions needs to be added to the vehicle documentation.

Local guidelines of other EG and non-EG countries need to be followed according to the local law.

Subject to errors and technical changes.

The manufacturer is not responsible for damage caused by improper fitting or use of this product, nor for any objection made by the competent authorities with regard to the highway code.

The manufacturer shall only be responsible for manufacturing defects in the towbar.

