



Fitting Instructions

TOWBAR R31AU
For Rover 75 Saloon (June99-)
75 Estate (July 01-)

MATERIALS

A	1	Towbar Main Frame
C	1	Centre Neck with European facing to 94/20/EC – A50-1
D	2	Side Arms
F	2	Clamp Plates
G	1	Electrical Socket mounting plate
H	2	Bushes (40mm O.D. 31mm long)
J	2	Bushes (40mm O.D. 24mm long)
K	8	M8 x 30 x 1.25mm Bolts, Lock Washers and Flat Washers (25mm O.D.)
L	2	M12 x 35 x 1.75mm Bolts, Lock Washers, Flat Washers (30mm O.D.), M12 Witter Cage Nuts & Retainer
M	6	M12 x 35 x 1.75mm Bolts, Lock Washers, Flat Washers (40mm O.D.), M12 Witter Cage Nuts & Retainer
N	2	M12 x 80 x 1.75mm Bolts and Nyloc Nuts
P	2	M12 x 100 x 1.75mm Bolts, Nuts and Lock Washers (for use with estate)
P	2	M12 x 60 x 1.75mm Bolts, Nuts and Lock Washers (for use with saloon)
Q	2	Bushes (25mm O.D. – 28mm long)
CB	2	M16 x 50mm Coupling Bolts, Nuts, Lock Washers

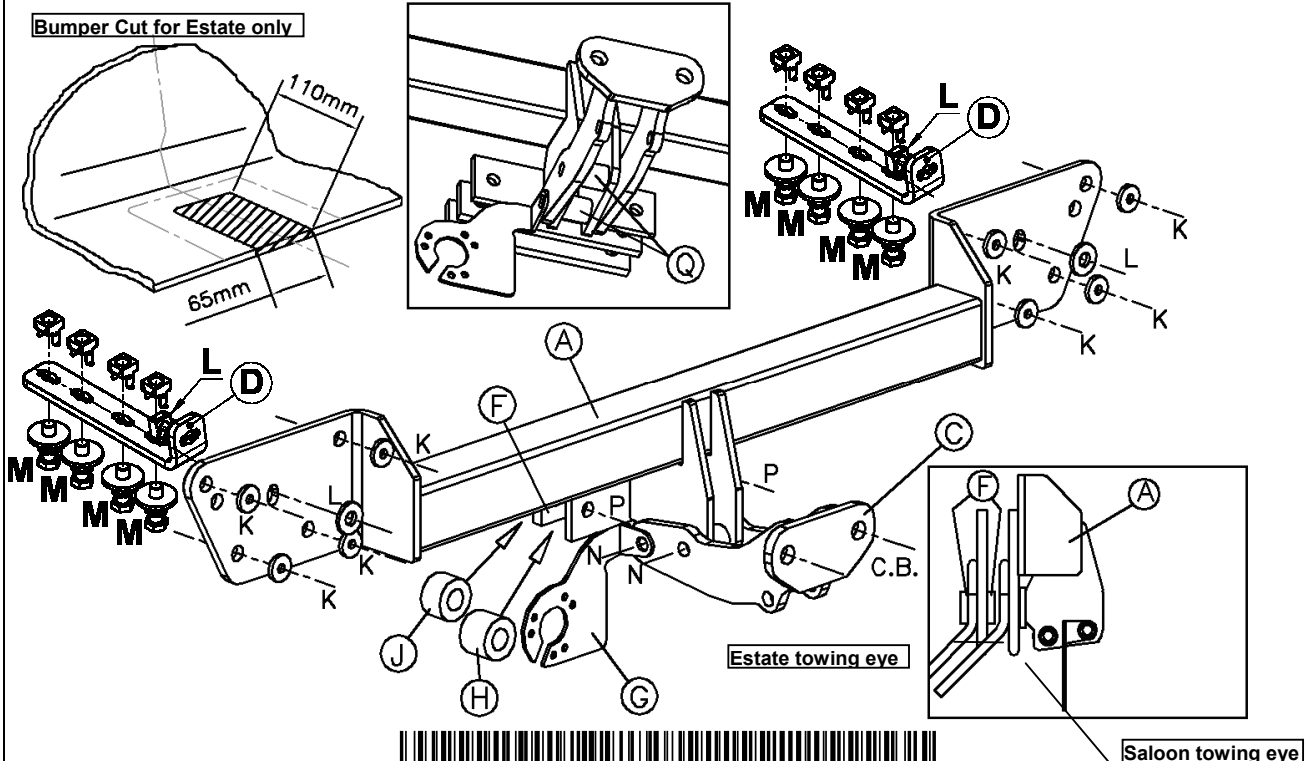
FITTING

1. Remove the bumper (Saloon: 5 plastic plugs on the top edge and 2 screws on the lower edge at the wheel arch) (Estate: 4 lower mud guard screws. 2 rear lower plastic plugs. 5 screws under upper plastic bumper trim. 2 upper screws along side light cluster).
2. Remove bumper beam (4 bolts each side). Cut bumper as shown for the estate.
3. Pre-assemble the Witter Cage nuts for fasteners (M) and (L) to Side Arms (D) (Note: 2 fasteners (M) on Saloon each side and 3 fasteners (M) on Estate each side).
4. Insert Side Arms (D) into the open ends of the chassis and loosely attach using Bolts (M) (Note: 2 Fixings on Saloon each side and 3 on Estate each side). It may be necessary to temporarily lower the rear exhaust silencer to assist fitting.
5. Loosely attach Main Frame (A) to Side Arms (D) using Bolts (L) and to rear panel using Bolts (K).
6. Attach Main Frame (A) to vehicle towing eye using Bolts (P) sandwiching the towing eye with one Clamp Plate (F) and bushes (J) for the Saloon or two Clamp Plates (F) and Bushes (J and H) for the Estate.
7. **Tighten bolts (K) first**, fully tighten the remaining bolts and refit the bumper.
8. Attach Centre Neck (C) and Electrical Plate (G) using Bolts (N).

Note: This towbar must be used with either a Witter Towball (part number Z11) or Class A50-1 or A50-X towball dimensionally Conforming to A50-1 with a 'D' and 'S' value greater than or equal to that of the towbar, also for use with Witter Removable Towball Unit (part number ZR2H000)..

Please refer to the vehicle specification for the trailer weight and nose limits, which **must be observed**.

Recommended torque settings: M8 - 27Nm, M10 - 53 Nm, M12 - 80 Nm, M14 - 150 Nm, M16 - 214 Nm



W0001R31AU-FIT\$011002220000