



Fitting Instructions

TOWBAR SA17AU FOR
For SA17A/ SA17AQ
Seat Altea XL 2007 – SA17AQF
Seat Toledo 2004 –

MATERIALS

A 1 Cross Bar.
D 4 M12 x 35 x 1.75 Bolts, Lock Washers and Flat Washers (25mm O.D).
ZE 1 Electrical Plate (ZEP2)
ZQ 1 ZQ Illustrated

For use with either

SA17A Flange neck option – ZF2003. Note: This towbar must be used with either a Witter Towball (part number Z11) or Class A50-1 or A50-X towball, which dimensionally conforms to A50-1 with a 'D' and 'S' value greater than or equal to that of the towbar.

SA17AQ Detachable neck option – ZQ2003. Please refer to ZQ fitting instructions for installation

SA17AQF Detachable neck option – ZQF2003. Please refer to ZQF fitting instructions for installation

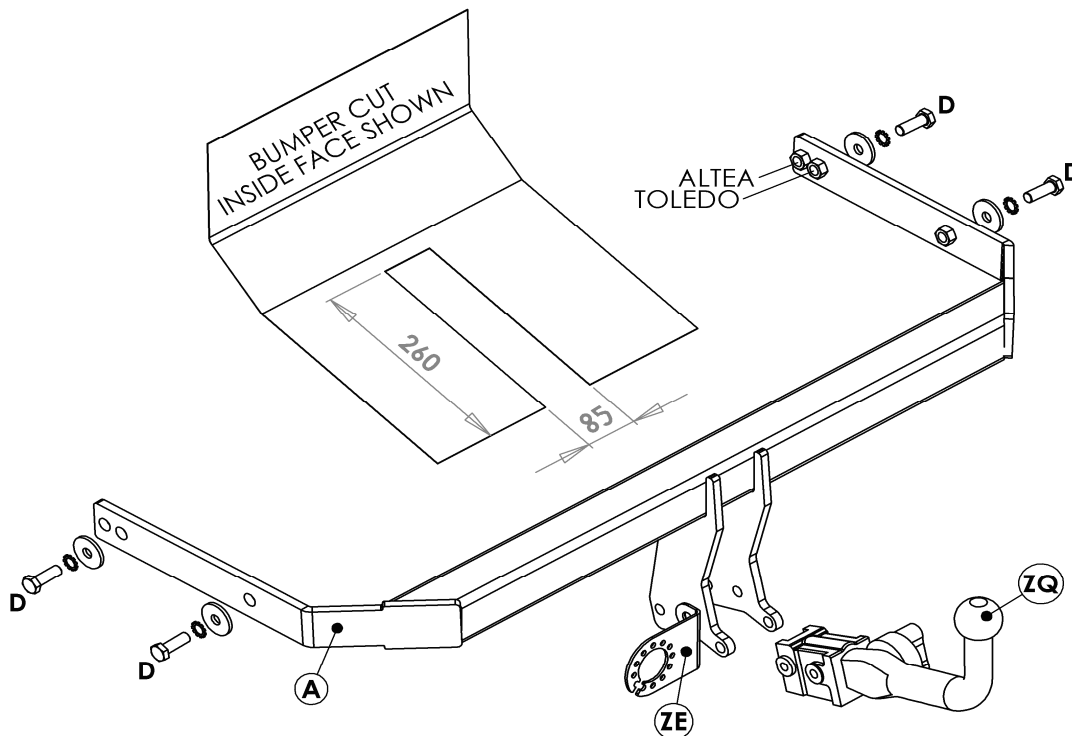
FITTING

1. Remove Bumper. (5 tip screws in each wheel arch, 7 tip screws along bottom edge of bumper, 3 tip screws under each light cluster. Pull tips outwards and slide bumper rearward, disconnect fog lamps, reversing light and reversing sensors (if present).
2. Remove crash beam and refit bolts into back panel to prevent ingress of water. Hand crash beam to final user for refit when bar is removed. On certain models a plastic cover over vent on rear panel will require removing.
3. Insert towbar (A) into chassis rails and attach using bolts (D) in position shown. Note: holes in chassis side may be hidden under tape.
4. Attach preferred and Electrical Plate (ZE) as per separate Instruction.
5. Cut bumper as shown and refit, it is advisable to protect bumper around neck area whilst refitting.

Note:

Please refer to the vehicle specification for the trailer weight and nose limits, which **must be observed**.

Recommended torque settings: M8 - 27Nm, M10 - 53 Nm, M12 - 95 Nm, M14 - 150 Nm, M16 - 214 Nm



W0001SA17AU-FIT\$011007280000