



Fitting Instructions

TOWBAR SK26U
For SKODA OCTAVIA SALOON/
ESTATE
AUDI A3 SPORTBACK
2004-2013

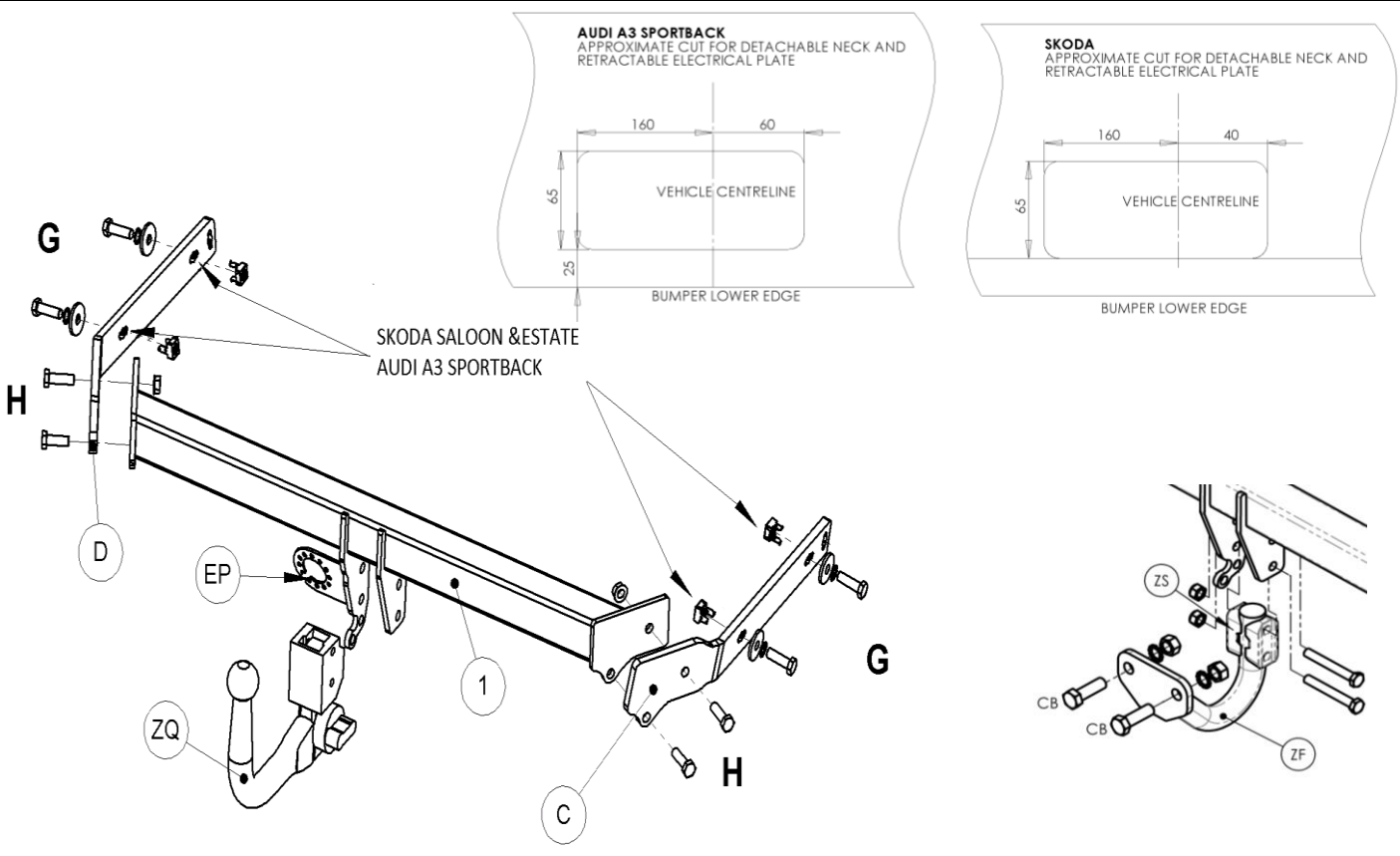
MATERIALS

- A 1 Cross Bar.
- C 1 RH Sidearm.
- D 1 LH Sidearm.
- G 4 M12 x 45 x 1.75 bolts, lock washers, flat washers (40o.d.), Witter square nuts and retainers.
- H 4 M12 x 35 x 1.75 bolts with M12 flange nuts.
- EP 1 Electric plate.
- ZX 1 Detachable kit (ZQ3002)

FITTING

1. **SKODA** Remove bumper (4 screws on lower edge, 2 screws beneath light cluster under plastic capping in boot channel (carefully remove light clusters), 3 screws and 1 push in clip around wheel arch.) starting at wheel arches prise bumper from clips and push down clips under light clusters, which will enable the bumper to slide backwards off side panel sliders.
2. **AUDI** Remove Bumper (remove 2 screws on lower edge, remove screws within wheel arches, remove light clusters access gained from inside boot, pull up plastic pins at light clusters unscrew 4 bolts hidden across the back panel under plastic panel and boot linings. Carefully prise plastic clips and slide bumper rearwards.
3. Remove crash beam and hand to end user for re-fitting when bar is removed. **Refit bolts to rear panel to prevent ingress of water.**
4. Insert Caged Nuts into the Side Arms C & D (Use Cage Nut installation guide to assist with fitment). Loosely attach Side Arms to existing side mountings inside the chassis (may have to remove tape covering holes) using fixtures G
5. Attach Cross Bar (A) using fixtures H to the Side Arms. **Fully Tighten Bolts to recommended settings.**
6. **Both vehicles** Locate centre of bumper and cut as shown below. Cut is dependant on the neck option required and therefore the electrical plate used. Examples shown are for detachable option with retractable electrical plate. Please **Cut bumper accordingly.**
7. Please refer to ZQ fitting instruction for fitting of ZQ detachable unit.
8. Refit Bumper,
9. Please refer to the vehicle specification for the trailer weight and nose limits, which **must be observed.**

Recommended torque settings: M10 - 53 Nm, M12 - 75 Nm, M16 - 214 Nm



W0001SK26U-FIT\$011307110000