



Fitting Instructions

UNIVERSAL TOWBAR SU27AU
For Subaru Legacy Estate
FOR USE WITH 3007 SERIES NECKS

MATERIALS

A	1	Cross Bar
C	1	Left Sidearm
D	1	Right Sidearm
E	1	Left Stiffener Bracket
F	1	Right Stiffener Bracket
G	6	M12 x 35 x 1.75 Bolt, Lock Washer and Flat Washer (25mm O.D)
J	4	M12 x 35 x 1.75 Bolt, Nuts, Lock Washer and Flat Washer (25mm O.D)
K	3	M10 x 25 x 1.5 Bolt, Nuts, Lock Washer and Flat Washer (20mm O.D)
M	1	Electrical Plate
N	1	Electrical Plate Bracket

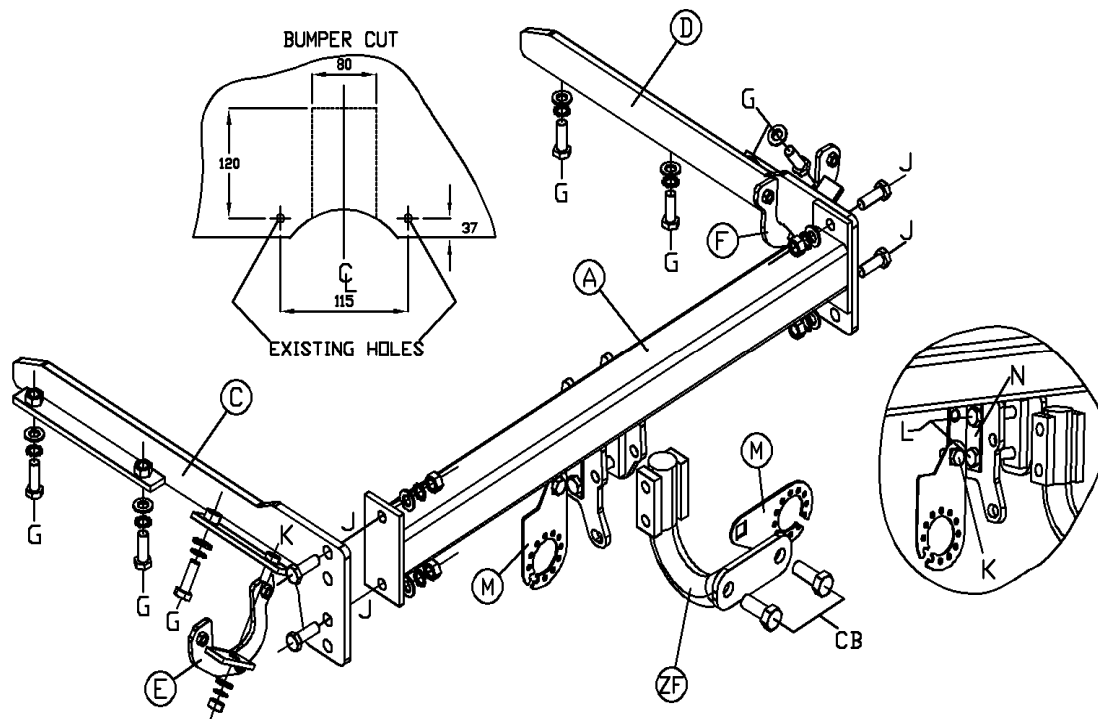
FITTING

1. Remove bumper (3 torq screws around each wheel arch, 1 screw, located behind plastic cap on internal boot side trim (be careful not to drop inside trim), 2 clips under each light cluster (to remove light cluster, unclip plastic trim to boot side of lights and undo retaining screws, disconnect bulbs), 4 clips along lower edge of bumper).
2. Remove reinforcement beam and mount brackets (hand to customer) retain the 6 M8 nuts from mounting brackets.
3. Lower exhaust and remove heat shields.
4. Loosely attach Stiffener Brackets (E&F) using M8 nuts retained from reinforcing beam.
5. Insert side arms (C&D) into chassis rails and loosely attach using bolts (G) and (K).
6. Loosely attach Towbar Main frame in higher position using bolts (J). **Tighten all bolts.**
7. Attach Flange Neck (ZF) and electrical plate angle (N) using Spacers (P) and bolts (L). Attach electrical plate (M) to neck (ZF) as shown. Note: An alternative position is to attach electrical plate (M) to electrical plate angle (N) using bolt (K). In this case a larger cut will be required.
8. Drill 2 holes in heat shield in positions marked with dimples, of sufficient size to clear bolt heads (G). Refit heat shield.
9. Cut bumper as shown (protect outer edge of bumper) and refit. **Tighten remaining bolts.**

Note: This towbar must be used with either a Witter Towball (part number Z1) or Class A50-1 or A50-X towball dimensionally conforming to A50-1 with a 'D' and 'S' value greater than or equal to that of the towbar.

Please refer to the vehicle specification for the trailer weight and nose limits, which **must be observed**.

Recommended torque settings: Grade 8.8 M8 - 27Nm, M10 - 53 Nm, M12 - 95 Nm, M14 - 150 Nm, M16 - 214 Nm
Grade 10.9 M12 - 139Nm



W0001SU27AU-FIT\$010802220000