



# Fitting Instructions

TOWBAR TY133CU  
 For Toyota Avensis Estate for  
 TY133C &  
 TY133CQ  
 TY133CQF

## MATERIALS

A	1	Cross Bar
D	1	Left Hand Sidearm
E	1	Right Hand Sidearm
F	2	Straps
G	2	Spreader Plates
H	6	M12 x 40mm x 1.75 Bolts, 4 Nuts, Lock Washers and (30mm O.D.) Flat Washers
K	4	M12 x 35mm x 1.25 Bolts, Lock Washers and (30mm O.D.) Flat Washers
L	2	M12 x 100mm x 1.75 Bolts, Nuts and 4 (30mm O.D.) Flat Washers
M	6	M8 x 25mm x 1.25 Bolts, Nuts and (25mm O.D.) Flat Washers
N	2	M8 x 50mm x 1.25 Bolts, Nuts and (25mm O.D.) Flat Washers
P	2	19mm O.D. Bush, 60mm Long
Q	2	19mm O.D. Bush, 20mm Long
R	1	M6 x 30mm x 1.00 Bolt, Lock Washer and (25mm O.D.) Flat Washers
Z99	1	Flip up Electrical Plate and 1 off ZEQ5 angle bracket.
SC	1	Safety Chain Plate (SCP4)

### For use with either

**TY133C Flange neck option – ZF2030.** Note: This towbar must be used with either a Witter Towball (part number Z11) or Class A50-1 or A50-X towball dimensionally Conforming to A50-1 with a 'D' and 'S' value greater than or equal to that of the towbar.

**TY133CQ Detachable neck option – ZQ2030.** Please refer to ZQ fitting instructions for installation.

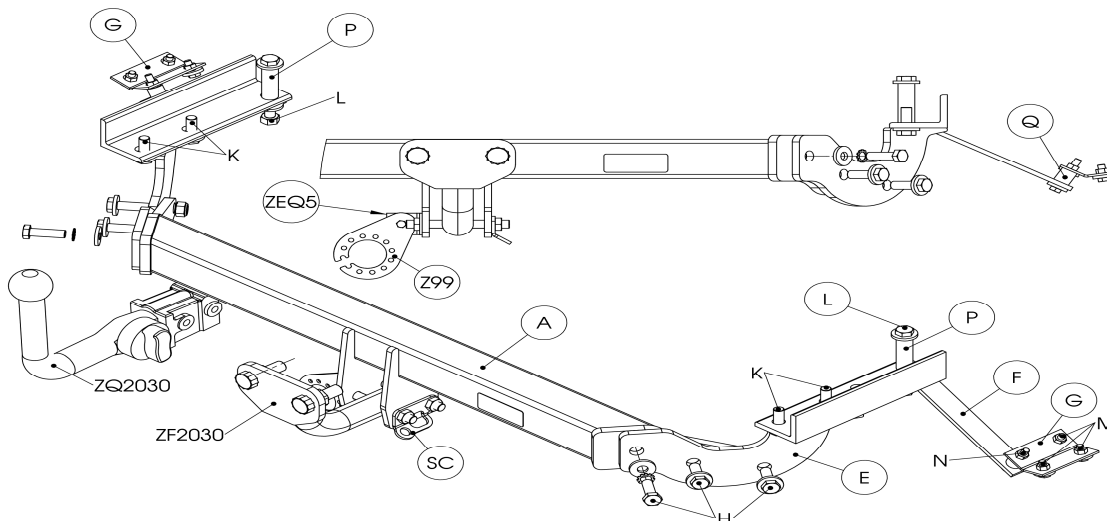
**TY133CQF – Detachable flange neck option – ZQF2030.**

## FITTING

1. Remove bumper under tray from left hand side, remove lashing eyes from chassis and discard and lower exhaust, remove rearmost bolt securing heat shield. Remove clips along lower edge of bumper. Remove boot floor covering.
2. Loosely attach Sidearms (D) and (E) to chassis using Fine Pitch bolts (K) with Flat washers, insert Cross Bar (A) inside bumper and loosely attach to Sidearms (D) and (E) using Bolts (H) with Flat washers.
3. Remove the small rubber bungs (4 each side) from the lower edge of the rear wing. Using hole (L) in Sidearms (D) and (E) as a guide mark position in upper chassis skin, working from inside vehicle drill at marked positions a hole of sufficient size to enable Bush (P) to be inserted. Position Spreader Plates (G) inside each rear wing and loosely secure using Bolts (M) with Flat Washers fitted on outer skin.
4. Using Bolts (L) and (N) with Bush (Q) loosely secure Strap (F) to chassis and rear wing.
5. Fully tighten all bolts ensuring Crossbar (A) is pushed up inside bumper.
6. Secure exhaust heat shield using Bolt (R) with Flat washer. Re-secure exhaust. Refit bumper under tray after having cut clearance slots for Sidearm (D). Refit boot trim and clips along lower edge of bumper.
7. Attach neck option.

Please refer to the vehicle specification for the trailer weight and nose limits, which **must be observed**.

**Recommended torque settings:** M8 - 27Nm, M12 - 95 Nm, M16 - 214 Nm



W0001TY133CU-FIT\$010809160000