



# Fitting Instructions

TOWBAR VL42BU  
For Volvo V70 For  
October 2007- VL42BQ  
& Volvo S80 VL42BQF  
Late 2006-

## MATERIALS

A	1	Cross Bar.
B	4	M12 x 40 x 1.75 pitch Bolts, Lock Washers and Flat Washers.
E	1	Electrical Plate Bracket.
EP	1	Electrical Plate Assembly.
ZQ	1	Quantum Detachable tow ball unit.

## FITTING

1. Remove bumper (4 wheel arch screws each side, 2 plastic nuts in bottom edge and unclip corners and sides from vehicles and pull rearwards).
2. Remove crash beam and loosen or remove threaded towing eye bush by un-screwing its centre bolt located under a bracket in the boot rear panel.
3. Lower exhaust to make access to the towbar mountings easier.
4. Remove sealing tape from sides of chassis rails to expose towbar mounting holes (B).
5. Insert Cross Bar (A) into chassis rails and secure with fasteners (B). **Note: Use holes shown for S80 models and holes (B1) for V70 models**
6. Assemble Neck (ZQ) and Electrical Plate Bracket (E) to Cross Bar using separate fitting instructions.
7. Assemble Electrical Plate (EP) as shown using separate fitting instructions.
8. **Fully tighten all fasteners.**
9. Refit crash beam to vehicle rear panel, over towbar Cross Tube (A) and refit towing eye bush.
10. Cut bumper as shown and refit to vehicle.

### For use with either

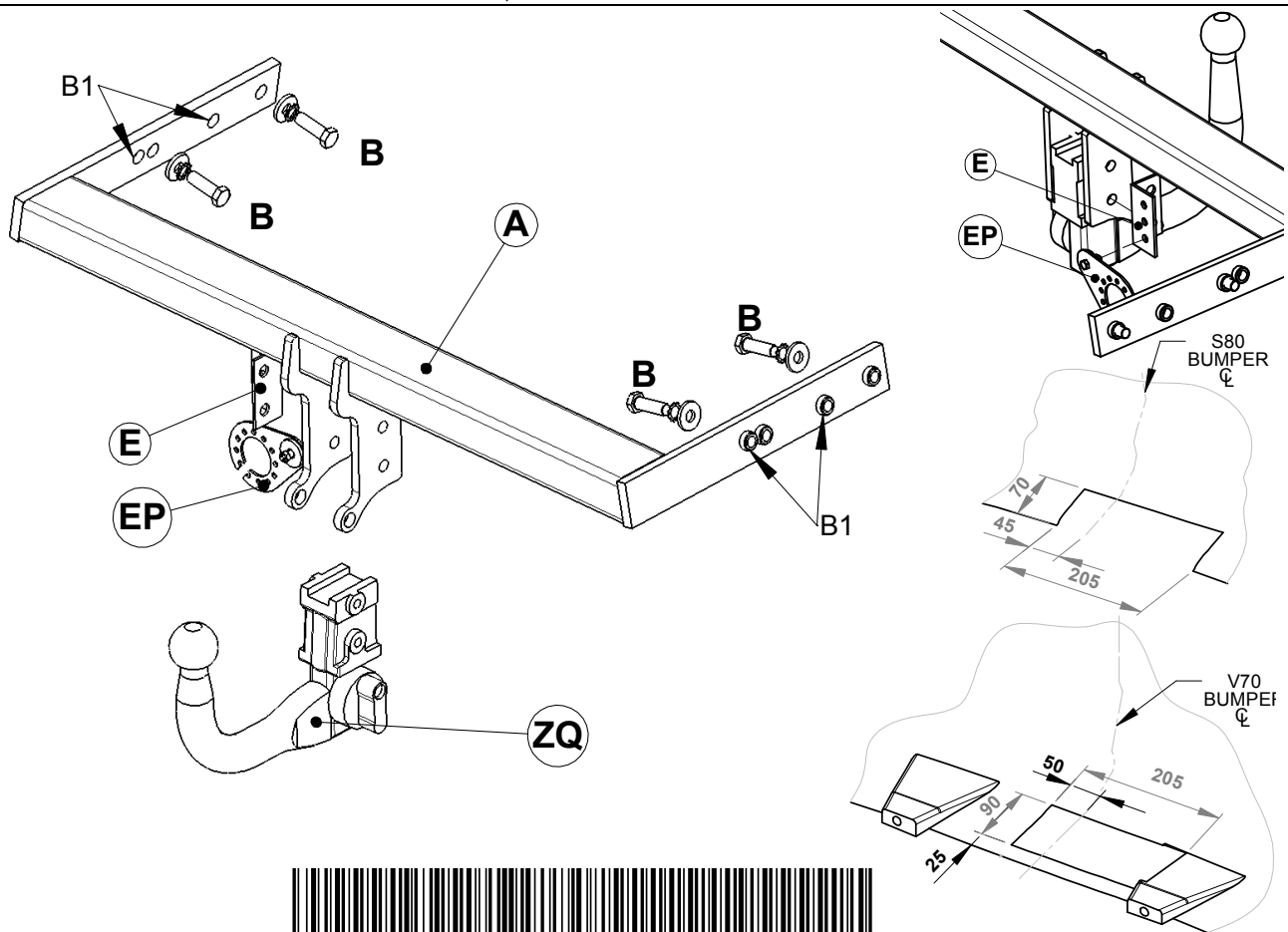
**VL42BQ Detachable neck option – ZQ3007.** Please refer to ZQ fitting instructions for installation

**VL42BQF Flanged Detachable neck option – ZQF3007** (Not shown) Please refer to ZQ fitting instructions for installation

Please refer to the vehicle specification for the trailer weight and nose limits, which **must be observed.**

**Recommended torque settings:** M8 - 27Nm, M10 - 53 Nm, M12 - 95 Nm, M14 - 150 Nm, M16 - 214 Nm

**Grade 10.9:** M12 – 139Nm, M10 – 78Nm



W0001VL42BU-FIT\$011103180000