



Fitting Instructions

TOWBAR **VW85U**
For VW Caddy III (2K)
Incl. Maxi and Life
2004-

MATERIALS

A	1	Cross Bar
B	2	Captive Nut Strap
C	4	M12 x 35 Bolt, Lock Washer and ø43 Flat Washer
D	2	M6 x 16 Bolt and ø22 Flat Washer
E	2	M12 x 25 Bolt, ø24 Flat Washer (x2) and Nyloc Nut
ZE	1	Retractable Electric Plate Kit
ZN	1	Chosen Neck Kit (Detachable shown)

FITTING

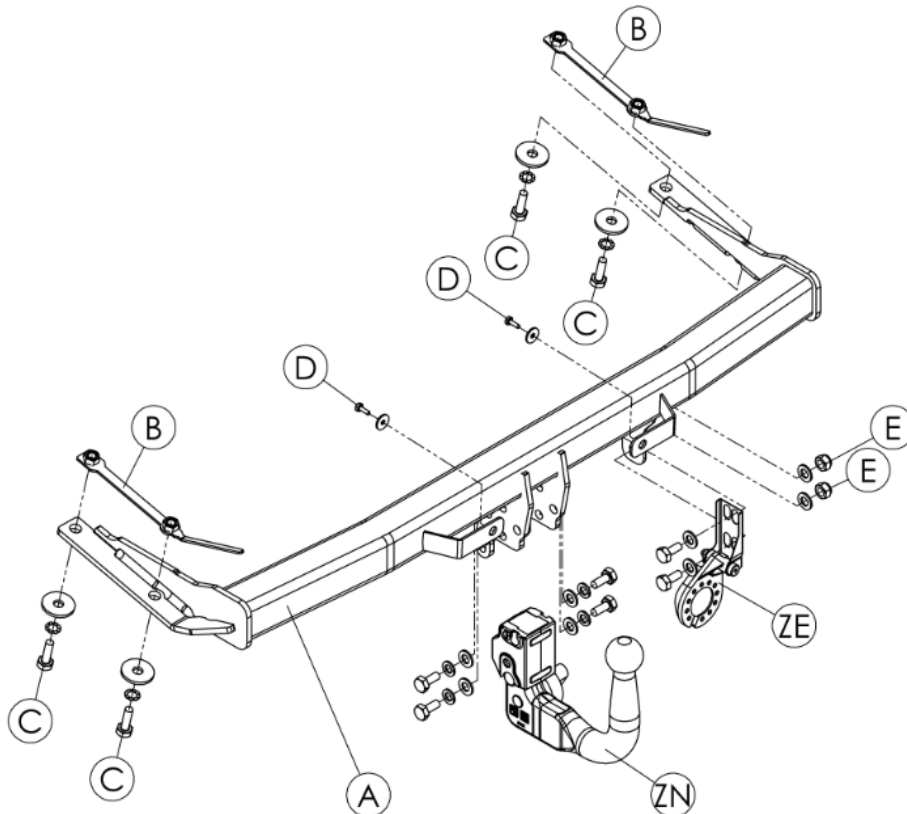
1. Remove 7 nuts on rear panel securing crash beam (on right side outer uppermost hidden behind bung) and remove 2 torx screws in each wheel arch, reattach bung. Unclip bumper tips and pull bumper with crash beam rearwards (if parking aid sensors are mounted, loosen wiring on right side to pull bumper out).
2. Remove crash beam from inside bumper skin (2 to 4 torx screws).
3. Insert first captive nut straps (**B**) into chassis rail, followed by cross bar (**A**) and loosely attach using fixings (**C**).
4. Fully tighten all screws.
5. Reattach bumper skin to vehicle, check first with bolts (**D**) that U-nuts are placed correctly to places matching brackets on cross bar (**A**). Finally attach bumper to cross bar (**A**) using fixings (**D**).
6. Attach Neck option (**ZN**) using separate fitting instructions.
7. Attach Electric Plate (**ZE**) to bracket on the Cross Bar (**A**) using separate fitting instructions and fixings (**E**).
8. With detachable necks only: Check free operation of neck with bumper. If necessary, make 10mm deep / 60mm wide notch to bumper edge for receiver of neck.

Note:

This Towball must be used with either a Witter Towball (part number Z11) or a Towball conforming to A50-1 classification. Please refer to the specification for trailer weight and nose load limits which *must be observed*.

Recommended torque settings:

Grade 8.8 bolts: M6 - 10Nm, M12 - **80Nm/95Nm?**, M16 - 200Nm



W0001VW61-FIT\$020806030000