



Fitting Instructions

VW90U

TOWBAR

For Seat Leon ST 2017-

Golf Hatch 2017-

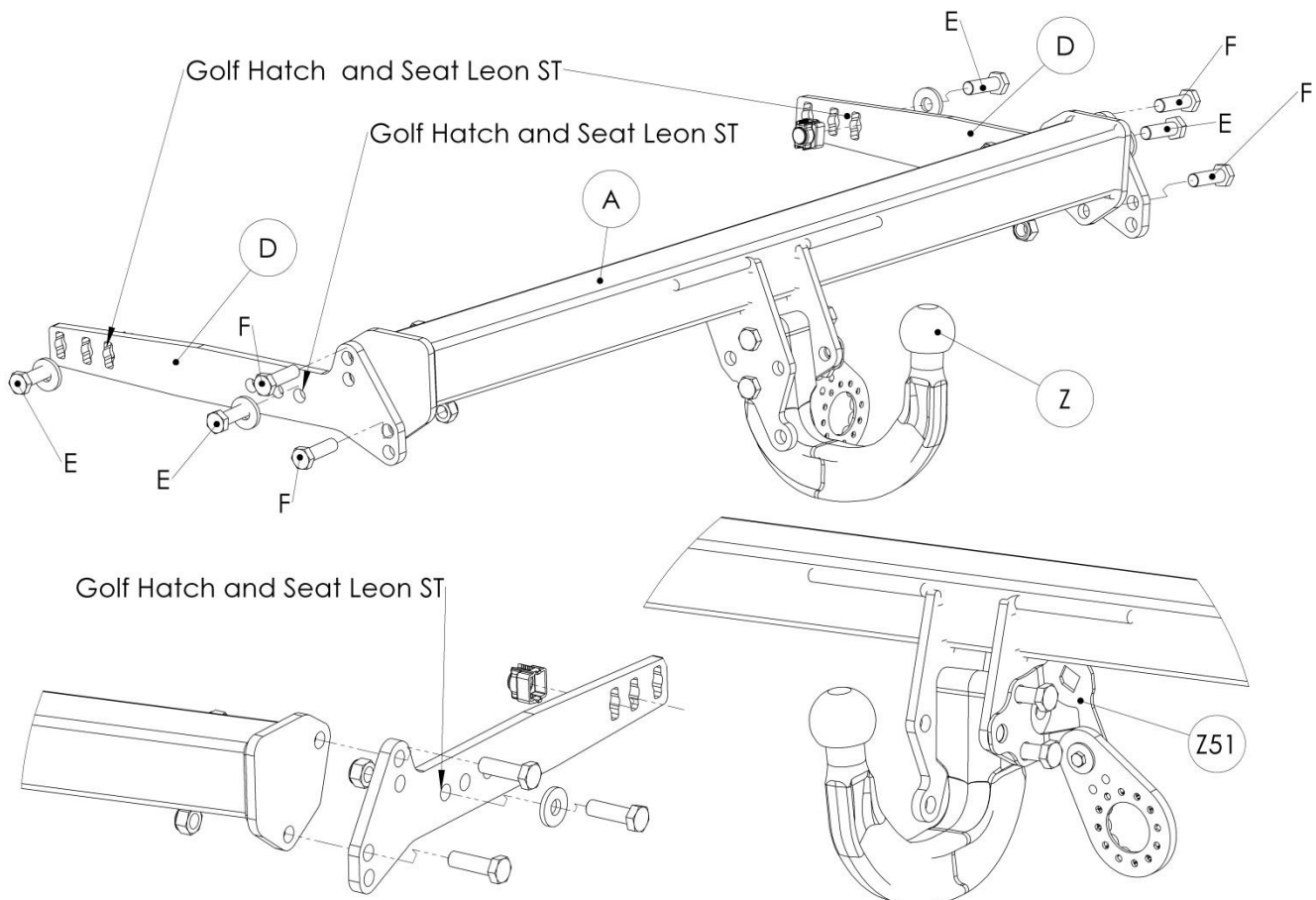
These models must have the 'shelf' style bumper with pre cut aperture.

MATERIALS

A	1	Cross Bar.
D	2	Sidearm.
E	4	M12 x 45 x 1.75 bolts, 2 x Nyloc Nuts, lock washers, flat washers (40o.d.), 2 x square nuts ("T" type) and retainers.
F	4	M12 x 35 x 1.75 bolts with lock washers, flat washers and Nyloc nuts.
Z51	1	Electric plate.
ZX	1	Neck kit

FITTING

1. Remove bumper and carefully remove light clusters
2. Remove crash beam and hand to end user for re-fitment when bar is removed. **Refit bolts to rear panel to prevent ingress of water.**
3. Insert Caged Nuts into the Side Arms D. (Use Cage Nut installation guide to assist with fitment). Loosely attach Side Arms to existing side mountings inside the chassis (may have to remove tape covering holes) using fixtures E in correct locations.
4. Attach Cross Bar (A) using fixtures F to the Side Arms. **Fully Tighten Bolts to recommended settings.**
5. Refit Bumper
6. Please refer to neck fitting instruction for fitting the neck – enlarging the existing aperture on certain models will improve access to neck bolts.
7. Please refer to the vehicle specification for the trailer weight and nose limits, which **must be observed.**



Recommended torque settings: M12 - 95 Nm, M16 - 214 Nm



W0001VW90U-FIT\$011310250000

